

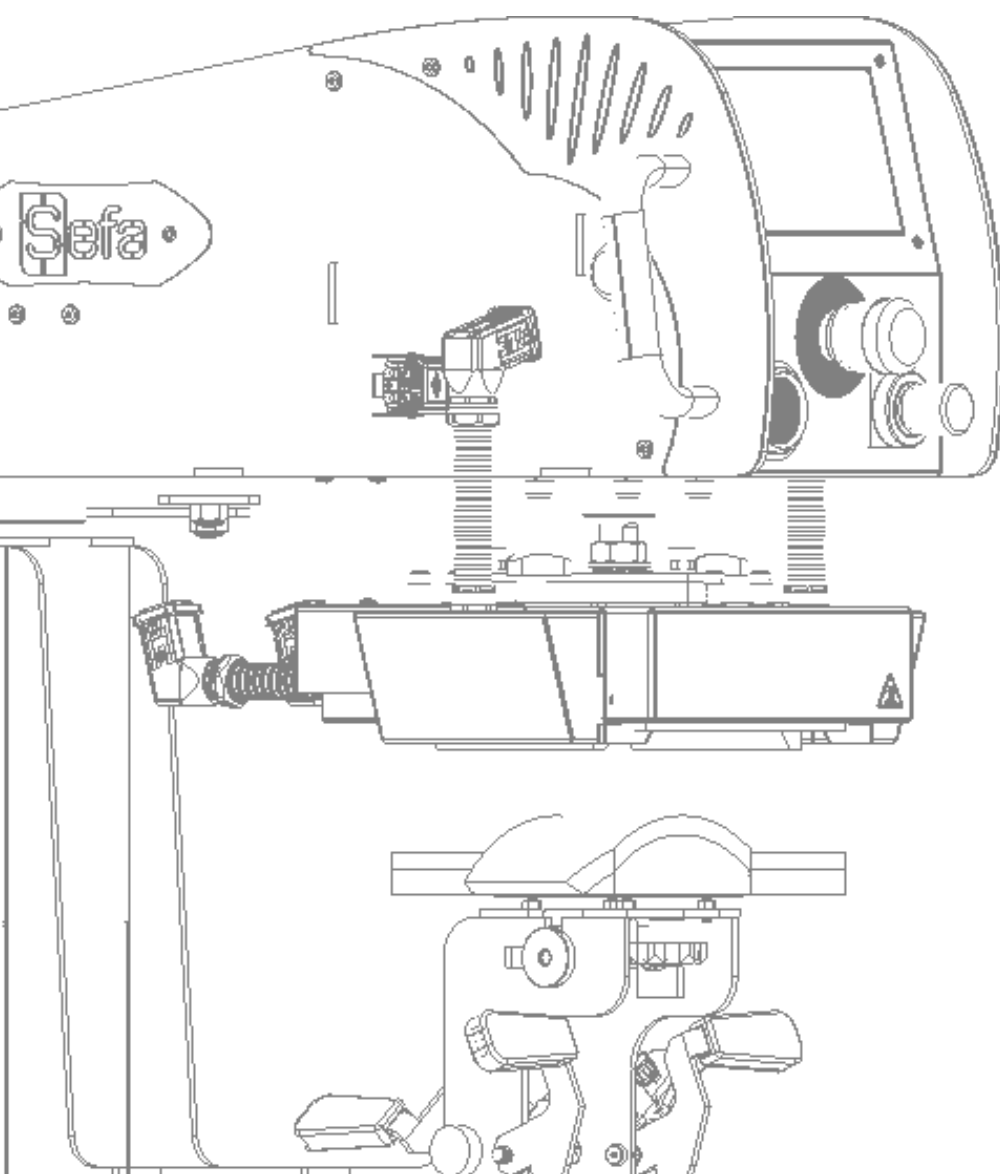
# Sefa

HEAT TRANSFER TECHNOLOGIES



## User guide Manuel utilisateur Guía del usuario Benutzerhandbuch

ENGLISH  
FRANÇAIS  
ESPAÑOL  
DEUTSCH



DUPLEX MINI  
PRO



# INDEX

INDEX .....	3
WARRANTY TERMS .....	4
TECHNICAL DATA.....	5
OVERVIEW .....	6
SAFETY .....	7
OPERATION.....	8
SMART TOUCH ® CONTROL SCREEN .....	11
SERVICING .....	15
TROUBLESHOOTING TIPS .....	16
CONDITIONS DE GARANTIE.....	18
CARACTERISTIQUES .....	19
GENERALITES.....	20
SECURITÉ.....	21
UTILISATION .....	22
ÉCRAN DE CONTROLE SMART TOUCH ®.....	25
MAINTENANCE.....	29
CONSEILS D'INTERVENTION RAPIDES.....	30
CONDICIONES DE GARANTÍA.....	32
CARACTERÍSTICAS .....	33
ASPECTOS GENERALES .....	34
SEGURIDAD .....	35
UTILIZACIÓN.....	36
PANTALLA DE CONTROL SMART TOUCH ®.....	39
MANTENIMIENTO .....	43
CONSEJOS DE INTERVENCIÓN RÁPIDA.....	44
GARANTIEBESTIMMUNGEN.....	46
TECHNISCHE DATEN .....	47
ALLGEMEINES.....	48
SICHERHEIT .....	49
VERWENDUNG .....	50
SMART TOUCH ® BEDIENDISPLAY .....	53
WARTUNG.....	57
RATSCHLÄGE FÜR SCHNELLE EINGRIFFE.....	58
SPARE PARTS.....	59
WIRING DIAGRAM.....	60
PNEUMATIC DIAGRAM .....	61
MAINTENANCE LOG .....	62

English

Français

Español

Deutsch

# WARRANTY TERMS

The warranty period shall come into effect on the day on which the equipment is brought into service at the user's premises, as attested on the returned warranty certificate and the delivery note, and shall run for two years, based on a standard equipment operating schedule of 8 hours per day, i.e. 3,000 hours.

The warranty is strictly limited to our equipment, and covers faulty materials and workmanship, which the purchaser shall be required to substantiate. Our liability shall be limited to making good or replacing free of charge parts that are acknowledged by us to be defective, and no claims for damages for any reason may be made against us.

Parts replaced under warranty shall:

- Remain our property
- Be invoiced on consignment

A credit note will be issued upon return of the faulty parts.

Returns must be made **NO LATER THAN ONE MONTH** after the work is performed under warranty.

#### **THIS WARRANTY DOES NOT COVER :**

Commercially sourced consumables such as:

- Fuses, LEDs, seals, hoses, nozzles, filters, etc.
- Material and equipment not manufactured wholly by us, which are covered by the warranty of the manufacturer thereof.

#### **THIS WARRANTY DOES NOT EXTEND TO :**

Replacements or repairs arising from fair wear and tear of the appliances or machines, damage or accidents arising from negligence, lack of supervision or maintenance, improper use or alterations made without our written consent.

Defects arising from material provided by the purchaser or mandatory design requirements issued by the purchaser.

Repairs made necessary by damage or accidents arising during carriage.

Normal maintenance and adjustment procedures required during use of the machine, as set out in the maintenance instructions, such as:

- adjustment of intermediate components
- tightening of pipes, hoses, etc.



Any traces of detergent oil in the air system of pneumatic machines shall invalidate the aforementioned warranty terms.

**Quote the machine reference and serial number when making technical enquiries or ordering spare parts.**

## TECHNICAL DATA

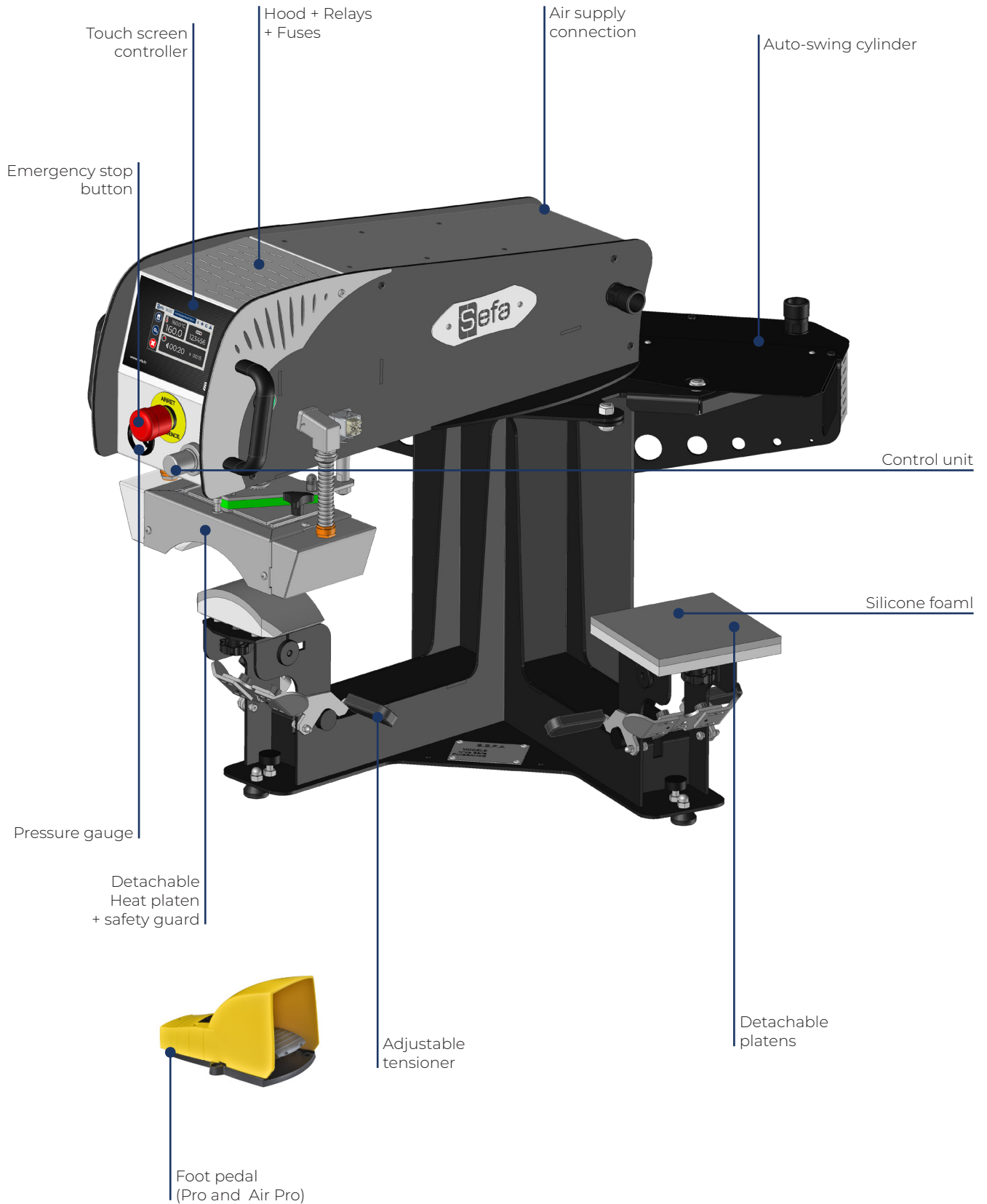
Technical data	
Weight in working order	42 kg
Height	620 mm
Depth	639 mm
Width	786 mm
Platen size	180x80 mm / 160x160 mm
Power supply	220/240 V single phase + ground 50/60 Hz
Power consumption	600 W
Amp rating	3 A
Power supply (US version)	110/120 V single phase + ground 50/60 Hz
Power consumption (US version)	600 W
Amp rating (US version)	6 A
Air supply	4 - 8 bars
Pressing	2 - 7,5 bars (membrane : 8 bars)
Membrane inflation (Air Pro)	0,5 bars
Electronic temperature controller	
Accuracy	+/- 1%
Setting range	0 °C - 220 °C
Electronic timer	
Accuracy	+/- 1%
Setting range	0 s - 59 min 59 sec
Operating conditions	
Noise level	< 70 dB (A)
Ambient operating temperature	10 °C - 35 °C
Humidity	< 90%
Maximum pressing force	290 daN

Non-contractual document : we reserve the right to alter our product specifications in line with advances in technology.

# OVERVIEW

This heat press has been designed to operate at high output without risk to operator safety in accordance with article L 233-5 of the French labour code. It has been designed for use by a single operator positioned in front of the machine.

English



## SAFETY

Please read the Operating Manual carefully before operating the press. The press should be operated by a qualified person who is aware of the potential dangers arising from improper use of the equipment. The factory-installed pneumatic, electrical and mechanical settings programmed by our technicians and the safety features must not be altered under any circumstances. SEFA accepts no liability for problems that may be caused by the machine if such alterations are made.

**THIS MACHINE IS DESIGNED FOR USE BY A SINGLE QUALIFIED OPERATOR**

### a. International symbols



### b. Important safety precautions

Personal Protective Equipment (PPE) must be worn (e.g. gloves and safety glasses).

Do not touch hot parts of the machine during use. Do not place hands between the platens when the machine is switched on. Make sure the operator is not exposed to risks of burns, electrocution or other hazards when handling the machine.

Check the machine each day before use. Make sure there is nobody in the vicinity of the machine before starting work. If the machine malfunctions, cut the power supply and look for the cause of the problem (see the Servicing section of this manual).



### c. Safety features

No changes must be made to the safety covers and safety systems. They must be refitted if they are removed for servicing work. They must be kept in place and in good condition during normal use. Presses are fitted with safety systems to protect the operator from pinch-point hazards. The main safety components are:

- Front-mounted button that switches the machine off when pressed.
- Two contact switches are located on top of the upper heat platen.

This system helps safeguard the operator against pinch points and crushing hazards.

If the system detects an obstacle, it raises the heat platen, immediately shuts off the swing function and puts the press into safe mode.

To restore the machine to operating mode, press the red area on the «Alarm» page, position the arm over one of the lower platens and depress the pedal.

Test the emergency shut-off and the safety guard daily. After an emergency stop, make sure there are no other unresolved problems preventing use before restoring the machine to normal operating mode. Turn the red button to release the emergency stop. The machine will be reset automatically.

Technical parts documents are supplied with the machine. Please read them before starting to use your SEFA machine.

# OPERATION

## a. Setting up the machine

TO BE PERFORMED BY QUALIFIED PERSONNEL



DO NOT CARRY THE MACHINE BY THE PLATES



Cut the packing straps and undo the cover and dome retaining screws.

Remove the cover and then the dome from the case.

Remove the plastic bag from the machine.

Remove the anchor bolts securing the machine to the pallet.

With the packaging removed, take off the safety screw using the 4 mm Allen key provided.

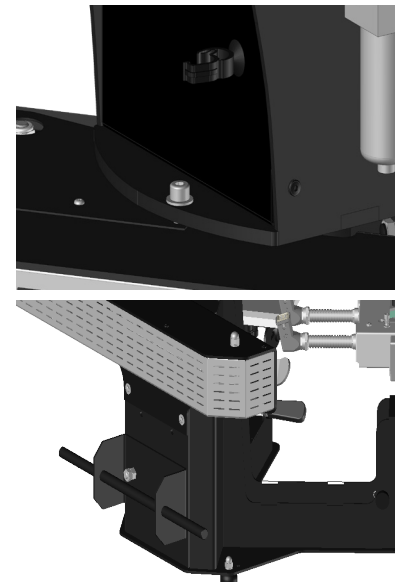
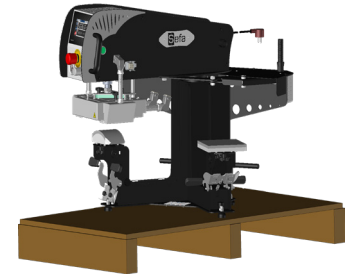
Align the machine in the centre of the two posts.

Attach the carry bars. The machine must only be carried using these bars.

Use the carry bars to carry the machine and attach it to a stable, level table.

Fit and secure the lower platens in place if they are not already installed.

Remove the carry bars and store them with the packing case for future use.



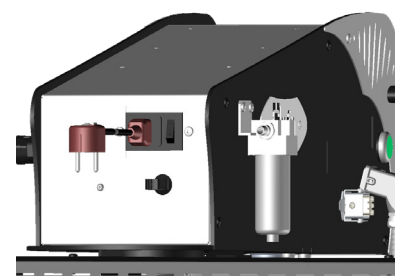
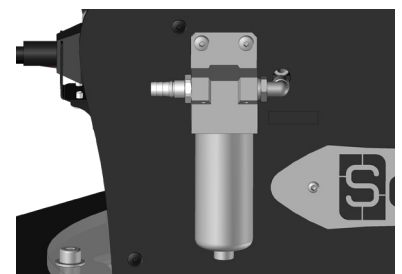
## b. Switching on

Switch on the compressed air supply to the machine. The compressor must deliver at least 4 bars of compressed air pressure.

Fit a padlockable pneumatic shut-off valve. Plug in the machine using the power lead provided. Press the switch at the back of the arm to «1» and make sure that the emergency stop button at the front is not engaged.

Press the main switch at the back of the machine to turn the power on.

The control panel page will be displayed on the touch screen. This machine must be used by qualified personnel. Switching on the machine turns on the temperature control, electronic board and electrical power supplies.

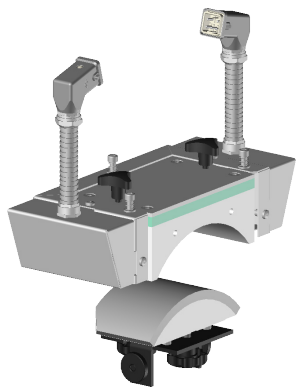




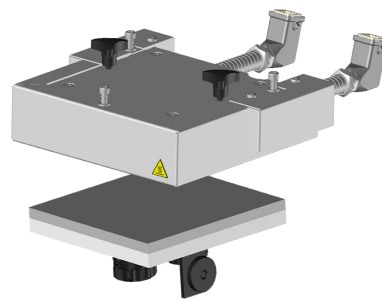
## c. Installing and using the accessories

To change the upper platen, unplug the machine from the power source, wait until the platen is cold and unplug the quick-release plug connecting it to the machine. Undo the two black thumbwheels and change the platen. Reconnect the quick-release plug.

To change the lower platen, undo the two thumbwheels on each side of the accessory and change the accessory.



Optional accessory :  
ACC-CAP-DUPLEX MINI PRO  
Heat and lower plate for cap.



Optional accessory :  
ACC-PLA-DUPLEX MINI PRO  
Heat and lower plate for logo 16x16cm.

## d. Operating cycle

1. Place the work item on the lower platen.
2. Position the transfer sheet correctly.
3. Depress the cycle start pedal. The swing arm will move into place over the platen, the heat platen will lower and the press timer will start.
4. Use this time to prepare the next work item and transfer sheet on the second workstation.
5. The heat platen will lift open when the timer has finished.
6. Depress the pedal if the machine is not in «FULL AUTO» mode. If the machine is operating in Full Auto mode, the platen will swing away automatically after it has lifted clear and the post-press timer has finished its countdown.
7. Remove the work item from the first workstation and get the next one ready.
8. Repeat from step three above.

Depressing the pedal or one of the green push buttons during a cycle will stop the cycle and move the swing arm to the other side.

Pressing the on-screen stop button during a cycle will stop the cycle.

# SMART TOUCH ® CONTROL SCREEN



## a. Pressing time

Press here to set the machine's pressing time.

Use the left and right arrow keys to increase and decrease the setting.

You can also have 4 consecutive pressing times (cf. "settings (e)") on single-platen presses and up to 4 times for dual-platen presses.

You can also change this setting by pressing the time display and entering the required time from the touch pad (4 characters must be entered).

Once you have entered the required time, press the "confirm" key in the bottom right corner of the screen.

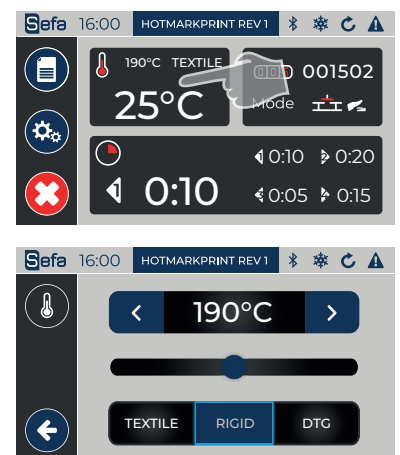


## b. Temperature settings

Press the "temperature" menu (b).

You can select the temperature you require in the same way as for the pressing time, using the arrow keys on the left and right of the temperature display. You can also click on the reading and manually select a temperature. When typing in a temperature below 100°C, enter a "0" first (e.g. 090°C).

You can also slide the blue cursor left and right with your finger to lower and raise the temperature respectively, and then adjust it using the arrows. Select the profile you wish to press (Textile, Rigid or DTG).



## c. Item counter / Operating mode

This menu shows how many items the machine has printed. When you click on this icon, two counters are displayed. See the table below.

You can also select the operating mode on Duplex models: single-platen, dual-platen actuated by button/pedal for each press stroke, and dual-platen auto mode.

The first counter shows the partial count and can be reset to zero by pressing the arrow to its right. The second counter shows the total number of items printed since the machine was installed. This count is permanent and cannot be reset.



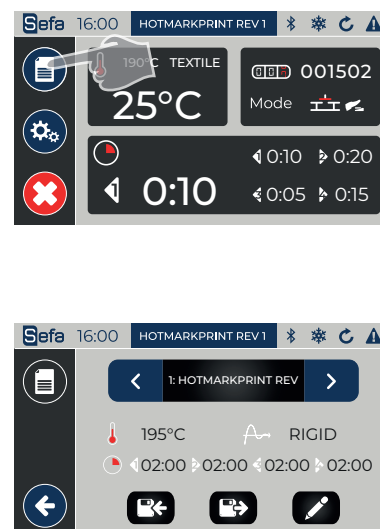
## d. Recipes

Pressing the “Recipes” icon (d) brings up the menu shown opposite.

Use the left and right arrows to select one of the 10 pre-configured recipes. To use (load) a recipe, press the floppy disk icon with the arrow pointing to the right. Once selected, press the arrow in the bottom left corner to return to the main menu.

To create or alter a recipe, you must first set the time and temperature from the main screen and then select a memory slot (1 to 10) from the recipe (d) screen. To rename a recipe, press the pencil icon. Give your recipe a name and press the arrow in the bottom right corner to confirm. To finish, press the floppy disk icon with the arrow pointing to the left to save your choice/setting.

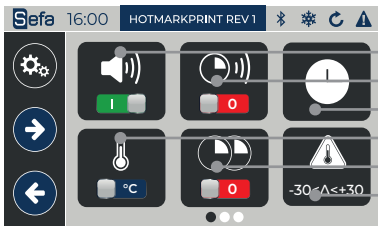
An asterisk(\*) at the start of the name of the current recipe on the indication bar means that the current settings are not the same as the original settings for this recipe, and the settings that are currently being applied have not been saved to the recipe.



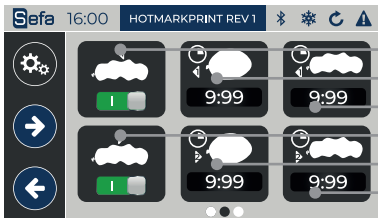
## e. Settings

Press icon (e) in the main menu to go to the machine settings. There are 6 available options. The gear wheel button lets you change the machine's technical aspects.

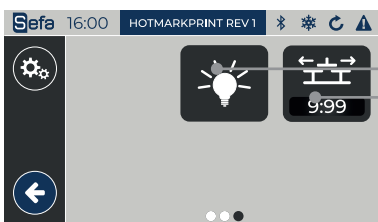




- Switch the sound on or off. Warning sounds will still be emitted if needed.
- Switch the 2-second end-of-cycle notification signal on or off.
- Internal clock setting (date and time).
- Choose between Celsius or Fahrenheit.
- Choose 1 (OFF), 2 or 4 different timers.
- Operating temperature range setting.



- Switch the left platen membrane on or off (Duplex Air Pro).
- Left membrane inflation time before platen down (Duplex Air Pro).
- Left membrane deflation time before platen up (Duplex Air Pro).
- Switch the right platen membrane on or off (Duplex Air Pro).
- Right membrane inflation time before platen down (Duplex Air Pro).
- Right membrane deflation time before platen up (Duplex Air Pro).



- Screen backlight setting.
- Duplex Pro/Air Pro: dwell time before platen switch (Auto mode).

## f. Other settings

The green leaf icon is used to set energy-saving mode.

The operator can use two energy-saving modes :

- Hibernate
  - ▶ Hibernate start time
  - ▶ Heating restart time
- Sleep
  - ▶ Sleep temperature (40°C (104°F) to 140°C (284°F))
  - ▶ Idle time before sleep mode

The board will only switch to eco mode if it is on the home screen. If the user leaves the press on another screen, the screen is presumed to be in the process of being altered. Simply touch the screen or start a cycle to exit energy-saving modes that are currently running.



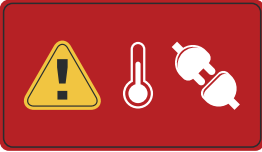






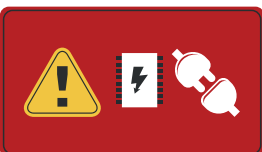

The “i” at the top right provides key information about the software version and SEFA contact details.



The diagnostic button brings up the machine status so you can see if there are currently any malfunctions. If there are, contact your distributor.



## g. List of alarms / events

Alarm 01: Probe PT100		Probe signal lost (sensor or cable). The heating control is instantly disabled.
Alarm 02: Overheating. Temperature above 220°C		Temperature reading above 230°C. The heating control is instantly disabled.
Alarm 03: Platen safety system triggered		Detection is immediate. The heating control and pressing operation are instantly disabled.
Alarm 06: Upper pressing sensor not reached		Signal not detected after 5 seconds. Caused by faulty sensor, lack of compressed air supply, jamming (mechanical, etc).
Alarm 07: Lower pressing sensor not reached		Signal not detected after 5 seconds. Caused by faulty sensor, lack of compressed air supply, jamming (mechanical, etc).
Alarm 08: Right rotation sensor not reached		Signal not detected after 5 seconds. Caused by faulty sensor, lack of compressed air supply, jamming (mechanical, etc).
Alarm 09: Left rotation sensor not reached		Signal not detected after 5 seconds. Caused by faulty sensor, lack of compressed air supply, jamming (mechanical, etc).
Alarm 10: Communication error		Communication lost between power board and screen board. Contact your stockist.
Alarm 13: Temperature not reached.		Blocks first cycle start request. Permits cycle start at second request (forced start despite setpoint not being reached).

Press the red/orange area to clear the fault.

# SERVICING

TO BE PERFORMED BY QUALIFIED PERSONNEL

THE MACHINE MUST BE SWITCHED OFF AND LOCKED AND TAGGED PRIOR TO SERVICING (ELECTRIC AND PNEUMATIC POWER SOURCES DISCONNECTED)

The following tools should be available at hand:

- Phillips and flat-blade screwdrivers
- Set of open-ended spanners and box spanners
- Set of Allen keys
- Multimeter

## a. Replacing worn parts

- Silicone foam pads

Check that the platen is cold.

Make sure the surface of the platen is clean.

The surface can be cleaned using soapy water. Suitable personal protective equipment must be worn.

Use RTV-1 glue to stick the foam pad to the aluminium platen (NB: read the instructions for use on the packet).

The pad and the platen must be clean and dry before they are stuck together.

Apply a thin layer of glue evenly over the platen and then stick the pad immediately into place, making sure there are no air bubbles trapped between the platen and the pad (e.g. a notched tile adhesive comb).

Leave to set overnight at room temperature with a slight pressure applied and the platen cold.

- For other parts, contact your stockist to determine whether they need to be renewed or repaired.

## b. Maintenance

SEFA heat presses are practically maintenance-free. Follow the preventive maintenance instructions below to ensure trouble-free operation:

Do not heat items that could perish or score the silicone pad or damage the heat platen's teflon coating.

Clean the machine at regular intervals, with the platen cold, using a clean cloth and soapy water and wearing suitable personal protective equipment.

Keep the heat platen in the raised position when it is hot but not in use.

### DAILY CARE:

Clean the foam pad and the heat platen's coating (when cold) with a dry cloth or a cloth with grease remover.

Inspect the air inlet filter on the left side of the swing arm; drain the filter if it is heavily condensated.

### MONTHLY CARE:

Check that the hinged joints are lubricated.

According to use:

Replace the foam pad every 6 months.

## TROUBLESHOOTING TIPS



The machine must be switched off and locked and tagged prior to any service repair work (electric and pneumatic power switched off).  
The heat platen can cause burns. Check that the platen temperature reading on the display panel is below 25° C before handling.

Problem	Possible causes	Solution
The machine does not switch on	The plug is not connected  The switch has not been pressed  The emergency stop is activated  Faulty display panel	Check the mains electricity and that the machine is plugged in.  Press the main On/Off switch to 1.  Turn the red button to release the emergency stop  Check whether the cables are damaged (potential short circuit)
The platen does not heat up	Faulty heating element  Problem with the automated system  Temperature setting too low	Check the connections and the condition of the wires. Contact your retailer to have the heat platen removed. Check the on-screen messages and contact your stockist See section 5 to change this setting
The platen overheats	Problem with the probe or the temperature control	Check the on-screen messages and contact your stockist
The timer is not counting down	Disabled or faulty cylinder-mounted sensor  Problem with the automated system	Check its position. Check the connections. Replace if necessary.  Check the on-screen messages and refer to the manual or contact your stockist.
The platen does not lower	Leaking cylinder  The solenoid control valve or the proportional controller are faulty  Compressed air pressure too low	Check the seals and all the connections. Cut the ends of the pipes. Contact your retailer.  Check the valve couplings. Contact your retailer about a possible replacement. Check that the supply pressure is working.
The platen does not lift up	Faulty solenoid control valve  Leaking cylinder	Check the valve couplings. Contact your retailer about a possible replacement. Check the seals and all the connections. Contact your retailer.
The platen stays down after pressing	Lack of compressed air	Check the compressed air system





## CONDITIONS DE GARANTIE

La période de garantie débute le jour de la mise en service du matériel chez l'utilisateur, matérialisée par le retour du bon de garantie et le bon de livraison, pour une durée de deux ans pour une utilisation courante de 8 heures par jour, soit 3000 heures.

La garantie est strictement limitée à nos matériels, contre les défauts de matière et d'exécution.

A charge pour l'acheteur de prouver les dits défauts.

Notre responsabilité est limitée à l'obligation de rectifier ou de remplacer gratuitement les pièces reconnues défectueuses par nous, sans qu'il ne puisse nous être réclamé aucune indemnité pour quelque cause que ce soit.

Les pièces remplacées au titre de la garantie :

- Restent notre propriété,
- Font l'objet d'une facturation de dépôt

Un avoir d'annulation est déclenché dès le retour des pièces défectueuses.

Le retour devra survenir UN MOIS MAXIMUM après l'intervention.

### LA GARANTIE NE COUVRE PAS :

Les fournitures consommables du commerce telles que :

- Fusibles, LED, joint, flexibles, buses, filtres...
- Les fournitures n'étant pas notre fabrication pure, subissent la garantie de leur fabricant.

### LA GARANTIE NE S'APPLIQUE PAS :

Aux remplacements, ni aux réparations qui résulteraient de l'usure normale des appareils et machines, des détériorations ou accidents provenant de négligences, défaut de surveillance ou d'entretien, d'utilisation défectueuse ou de modifications sans notre accord écrit.

En cas de vice provenant de matière fournie par l'acheteur, ni d'une conception imposée par celui-ci.

Aux réparations qui résulteraient des détériorations ou accidents survenues lors du transport.

Aux opérations d'entretien et de réglages inhérentes à l'utilisation de la machine, et indiquées dans la notice d'entretien, telles que :

- réglages d'intermédiaires
- resserrage de tuyauterie, etc. ...



Pour les machines pneumatiques, toutes traces d'huile détergente dans le circuit pneumatique inhibent les conditions de garanties précédemment citées.

Pour tout renseignement technique ou commande de pièces détachées,  
donner la référence de la machine ainsi que son numéro de série.

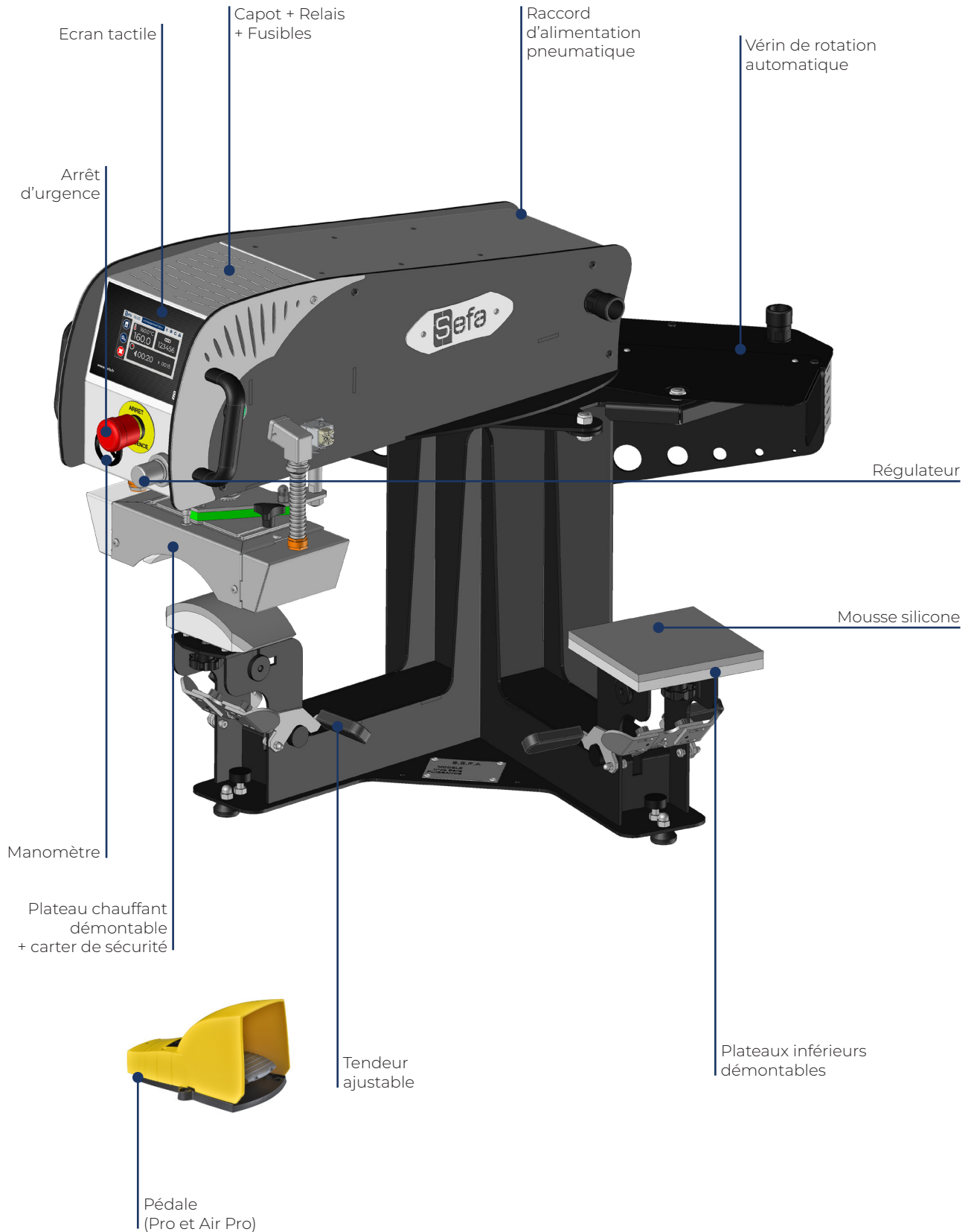
## CARACTERISTIQUES

Caractéristiques	
Poids en ordre de marche	42 kg
Hauteur	620 mm
Profondeur	639 mm
Largeur	786 mm
Dimensions du plateau	180x80 mm / 160x160 mm
Alimentation électrique	220/240 V single phase + ground 50/60 Hz
Puissance	600 W
Ampérage	3 A
Alimentation électrique (version US)	110/120 V single phase + ground 50/60 Hz
Puissance (version US)	600 W
Ampérage (version US)	6 A
Alimentation pneumatique	4 - 8 bars
Pressage	2 - 7,5 bars (membrane : 8 bars)
Conflage membrane (AIR PRO)	0,5 bars
Régulateur électronique température	
Précis à	+/- 1%
Réglable de	0 °C - 220 °C
Minuterie électronique	
Précis à	+/- 1%
Réglable de	0 s - 59 min 59 sec
Conditions d'utilisation	
Bruit	< 70 dB (A)
Température ambiante d'utilisation	10 °C - 35 °C
Hygrométrie	< 90%
Effort de pressage max	290 daN

Document non contractuel : en fonction des progrès techniques, nous nous réservons le droit de modifier les caractéristiques de nos produits.

# GENERALITES

Cette presse à thermo coller a été conçue pour effectuer une production intensive tout en respectant l'article L 233-5 du code du travail, pour assurer la sécurité de l'utilisateur. Cette presse a été conçue pour un opérateur travaillant face à la machine.



# SECURITÉ

Il est recommandé de lire attentivement “la notice d'utilisation” avant de commencer toute opération de pressage. La presse devra être utilisée par une personne habilitée et ayant été informée des risques pouvant être occasionnés par une mauvaise utilisation du matériel. Les réglages (pneumatiques, électriques et mécaniques) effectués par nos techniciens en atelier ainsi que les sécurités implantées sur la machine ne doivent en aucun cas être modifiés. Sinon, la société SEFA se dégage de toutes responsabilités sur d'éventuels problèmes liés à la dite machine.

**CET APPAREIL EST CONÇU POUR ÊTRE UTILISÉ PAR UN SEUL UTILISATEUR QUALIFIÉ**

## a. Symboles internationaux



ARRÊT

MARCHE



SURFACE CHAUDE



DANGER,  
AVERTISSEMENT



RISQUE  
D'ELECTROCUTION

## b. Points importants

Se munir des Equipements de protection individuelle E.P.I. (gants et lunettes par exemple). Ne pas toucher les parties chaudes de l'appareil pendant l'utilisation. Ne pas mettre les mains entre les plateaux une fois que l'appareil est allumé. Lors d'un acte de manutention, s'assurer que l'opérateur ne risque rien en terme de brûlure, d'électrocution ou autres. Effectuer une inspection quotidienne de la machine avant de démarrer la production. Dans la zone entourant la machine, s'assurer de l'absence de toute personne avant de démarrer. Si la machine ne fonctionne pas correctement, couper immédiatement l'alimentation en énergie et chercher la cause (voir chapitre « Maintenance » du manuel).



## c. Dispositifs de sécurité

Les protections et les dispositifs de sécurité ne doivent pas être modifiés. Ils doivent être remontés en cas de dépose éventuelle pour la maintenance. Ils doivent être maintenus en place et en état lors du fonctionnement normal. La DUPLEX PRO est équipée de systèmes de sécurité protégeant l'opérateur de tout risque de pincement.

Les principaux éléments de sécurité sont :

- L'arrêt d'urgence situé sur la face avant de la machine : si l'opérateur l'actionne, il met la machine hors tension.
- Carter de sécurité au-dessus de la plaque chauffante supérieure se trouve deux interrupteurs à languette. Ce système permet d'empêcher les risques de pincement et d'écrasement de l'opérateur.

Si le système détecte un obstacle, le plateau chauffant remonte, la rotation est désactivée immédiatement et la presse se met en mode sécurité.

Il faut appuyer sur la zone rouge de la page « Alarme », positionner la potence au-dessus d'un des plateaux inférieurs et appuyer sur la pédale pour que la machine soit à nouveau fonctionnelle. Essayer l'arrêt d'urgence et le carter de sécurité quotidiennement. Afin de relancer le fonctionnement nominal, vérifier si aucun autre problème ne réside sur la machine. Déverrouiller l'arrêt d'urgence en tournant la partie rouge : la machine se réinitialisera automatiquement.

# UTILISATION

## a. Installation de la machine

UTILISATION PAR DU PERSONNEL QUALIFIÉ



NE PAS MANIPULER LA MACHINE PAR LES PLATEAUX



Couper les sangles de la caisse et dévisser les vis qui tiennent le couvercle et la cloche.

Retirer le couvercle puis la cloche de la caisse.

Retirer le sachet plastique protégeant la machine.

Retirer les tirefonds qui fixent la machine sur sa palette.

Après avoir retiré l'emballage, retirer la vis de sécurité à l'aide de la clé Allen 4 fournie.

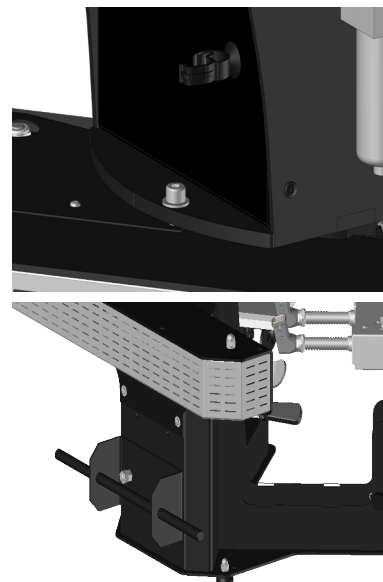
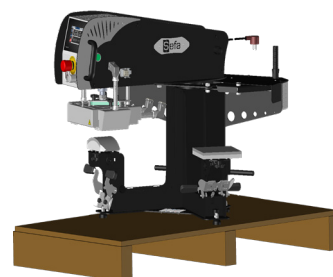
Centrer la machine entre les deux postes.

Positionner les barres de transports et manipuler la machine uniquement par ces dernières.

Fixer la machine sur une table stable et de niveau en la manipulant à l'aide des barres de transport.

Positionner et fixer les plateaux inférieurs si ce n'est pas fait.

Retirer et stocker les barres de transport avec la caisse de la machine en cas d'un futur transport de la machine.



## b. Démarrage

Alimenter en air comprimé la machine. Le compresseur doit fournir au minimum 4 bars.

Installer une vanne de séparation cadenassable de l'énergie pneumatique.

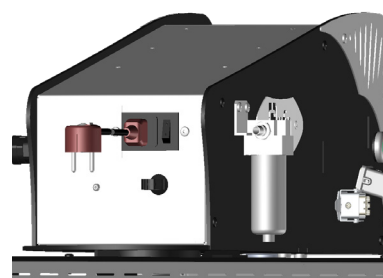
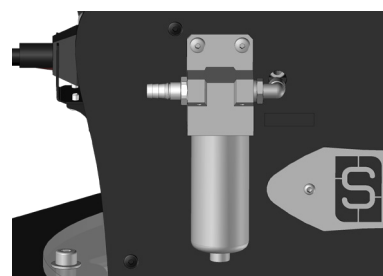
Alimenter en électricité la machine grâce au cordon d'alimentation fourni.

Positionner le bouton à l'arrière de la potence sur « 1 » et vérifier que le bouton d'arrêt d'urgence à l'avant de la potence est déverrouillé.

Mettre la machine sous tension en basculant l'interrupteur général qui se trouve à l'arrière de la machine.

L'écran tactile affichera la page du panneau de contrôle.

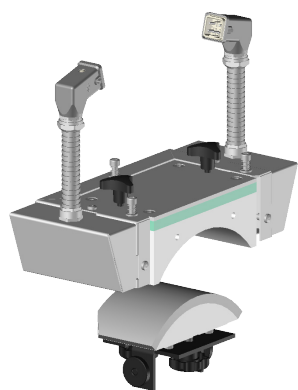
Cette machine doit être utilisée par du personnel qualifié. Lors de la mise sous tension, la régulation de température, la carte électronique et les alimentations électriques sont sous tension.



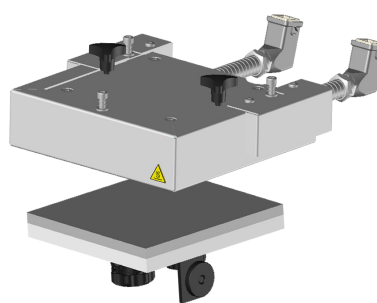
## c. Installation et utilisation des accessoires

Pour changer de plateau supérieur, débrancher électriquement la machine, attendre que le plateau soit froid, débrancher la prise rapide qui le connecte à la machine, desserrer les deux volants à lobes noirs et changer de plateau, puis rebrancher la prise rapide électrique

Pour changer d'accessoire inférieur, desserrer les deux volants à lobes de part et d'autre de l'accessoire et changer l'accessoire.



Accessoire optionnel :  
ACC-CAP-DUPLEX MINI PRO  
Plateau chauffant et bas pour  
casquette.



Accessoire optionnel :  
ACC-PLA-DUPLEX MINI PRO  
Plateau chauffant et bas pour logo  
16x16cm.

## d. Cycle de fonctionnement

---

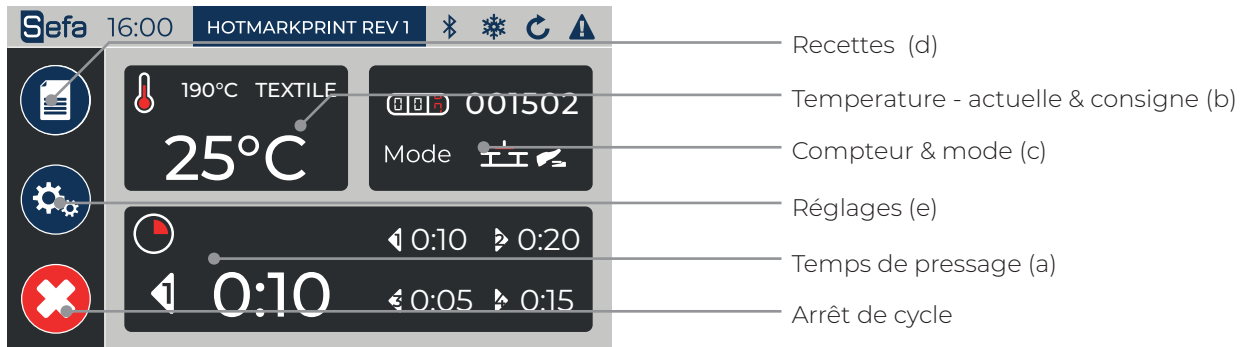
1. Placer l'article sur le plateau inférieur.
2. Ajuster la feuille de transfert.
3. Appuyer sur la pédale de départ cycle. La potence se déplace automatiquement vers le plateau, le plateau chauffant descend automatiquement et enclenche la minuterie de pressage.
4. Pendant ce temps, préparer l'article et sa feuille de transfert sur le deuxième poste.
5. En fin de décompte de la minuterie, le plateau chauffant remontera.
6. Si la machine n'est pas en mode « FULL AUTO », appuyer sur la pédale. Sinon la rotation se fera automatiquement après la remontée et le décompte de la « minuterie après pressage ».
7. Retirer l'article du premier poste et préparer le suivant.
8. Recommencer l'opération au troisième point.

Lors du cycle, un appui sur la pédale ou l'un des boutons poussoirs verts provoque l'arrêt du cycle et dégage la potence du côté opposé.

Lors du cycle, un appui sur le bouton stop de l'écran provoque l'arrêt du cycle.



# ÉCRAN DE CONTROLE SMART TOUCH ®



## a. Temps de pressage

En appuyant sur cette zone, vous pouvez régler le temps de pressage de la machine.

La valeur est modifiable à l'aide des flèches gauche et droite pour l'augmenter ou la diminuer.

Vous pouvez avoir 2 temps de pressage consécutifs (cf. « réglages (e) ») sur presses mono plateau et jusqu'à 4 temps pour les presses double plateau.

Vous pouvez aussi modifier cette valeur en touchant la valeur temps et en entrant les données exactes grâce au pavé tactile (4 caractères obligatoires).

Confirmez la valeur qui vous souhaitez en appuyant sur la touche « valider » située en bas à droite de l'écran.



## b. Réglage température

Appuyez sur le menu « température » (b). Vous pouvez sélectionner, comme pour le temps de pressage, la température que vous souhaitez grâce aux flèches situées à droite et à gauche de l'indicateur de température. Vous pouvez directement cliquer dessus et choisir manuellement la valeur. Pour les températures inférieures à 100°C, veuillez commencer par « 0 » (ex : 090°C).

Vous pouvez aussi agir directement sur le curseur bleu en faisant glisser votre doigt vers la gauche pour diminuer ou vers la droite pour augmenter la température, puis ajuster avec les flèches. Sélectionnez le profil à presser (Textile, Rigide ou DTG).



## c. Compteur de pièces / Mode de travail

Ce menu vous permet de savoir combien de pièces votre machine a réalisé. Lorsque vous cliquez sur cette icône, 2 compteurs apparaissent. Voir fonctionnement dans le tableau ci-dessous.

Pour les modèle Duplex, le mode de fonctionnement peut aussi être sélectionné : Mode mono plateau, mode double plateau avec activation par bouton/pédale à chaque coup de presse, et enfin le mode double plateau automatique.

Le premier compteur est partiel, et a la possibilité d'être remis à zéro grâce à la flèche située à sa droite.

Le second est quant à lui un compteur général. Il affiche le nombre de pièces effectuées depuis la mise en route de la machine. Il est permanent et ne peut être réinitialisé.



## d. Recettes

Lorsque vous appuyez sur l'icône « recettes » (d), ce menu apparaît.

Les flèches de droite et de gauche permettent de sélectionner une des 10 recettes qui ont déjà été créées. Il faut appuyer sur l'icône avec la disquette et la flèche qui pointe vers la droite pour utiliser une recette (chargement). Une fois cela fait, appuyez sur la flèche en bas à gauche pour revenir au menu principal.

Si vous voulez créer/modifier une recette, vous devez d'abord régler le temps et la température dans l'écran principal, puis sélectionner l'emplacement mémoire (de 1 à 10) dans l'écran recette (d). Si vous souhaitez renommer la recette, appuyez sur le crayon. Choisissez-lui un nom et appuyez sur la flèche en bas à droite pour valider. Enfin appuyez sur la disquette avec la flèche entrante pour enregistrer votre choix/réglage.

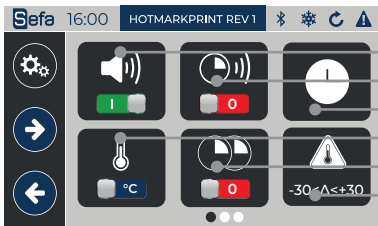
Lorsque le bandeau contenant la recette en cours d'utilisation indique un astérisque en début de nom (\*), cela informe l'utilisateur que les réglages actuels ne correspondent pas au réglages originaux de la recette, et que les réglages actuellement utilisés n'ont pas été enregistrés dans la recette.



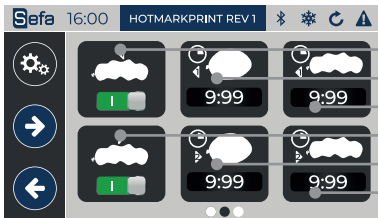
## e. Réglages

Dans le menu principal, appuyez sur l'icône (e) pour entrer dans les réglages de la machine. 6 possibilités apparaissent. Le bouton de la roue crantée permet de modifier les aspects techniques de la machine.

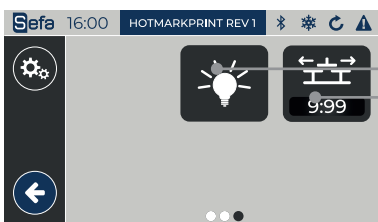




- Désactive ou active le son. Le son reste opérationnel en cas de défaut.
- Désactive ou active la sonnerie de 2 secondes avant la fin du cycle.
- Réglage de l'horloge interne (date et heure).
- Choix de l'unité de la température : degré Celsius ou degré Fahrenheit.
- Nombre de minuterie : une seule (OFF), 2 ou 4 minuteries différentes.
- Réglage de la plage de température de fonctionnement.



- Désactive ou active la membrane plateau de gauche (Duplex Air Pro).
- Temps de gonflage membrane gauche avant décente (Duplex Air Pro).
- Temps de dégonflage membrane gauche avant remontée (Duplex Air Pro).
- Désactive ou active la membrane plateau de droite (Duplex Air Pro).
- Temps de gonflage membrane droite avant décente (Duplex Air Pro).
- Temps de dégonflage membrane droite avant remontée (Duplex Air Pro).



- Réglage du rétro-éclairage de l'écran.
- Duplex Pro/Air Pro : Temps de pause avant changement de plateau.

## f. Autres réglages

L'icône avec la feuille verte permet de régler le mode économie d'énergie. L'opérateur peut activer 2 modes économie d'énergie :

- Mise en veille prolongée
  - ▶ Heure de mise en veille
  - ▶ Heure de remise en chauffe
- Mise en veille courte
  - ▶ Température de veille (de 40°C (104°F) à 140°C (284°F))
  - ▶ Délai d'inactivité avant mise en veille

La carte bascule en mode éco uniquement si elle est sur l'écran d'accueil. On estime que si l'utilisateur laisse la presse sur un autre écran, il est en cours de modification. Pour sortir des modes économie d'énergie en cours, un toucher sur l'écran ou un départ cycle est suffisant.



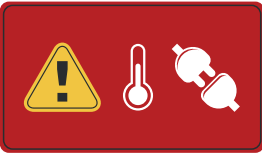








Le « i » situé en haut à droite va vous donner des informations clés sur la version du logiciel ainsi que les coordonnées de SEFA.



Le bouton diagnostic permet d'avoir un état de la machine et donc de savoir s'il y a des dysfonctionnements ou non. Si oui, veuillez contacter votre distributeur.



## g. Liste d'alarmes/événements

Alarme 01 : Sonde PT100		Perte de signal de la sonde (capteur ou câble). La régulation de chauffe est instantanément désactivée.
Alarme 02 : Surchauffe Température		Lecture de température supérieure à 230°C. La régulation de chauffe est instantanément désactivée.
Alarme 03 : Sécurité plateau déclenchée		La détection est immédiate. La régulation de chauffe et le pressage sont instantanément désactivés.
Alarme 06 : Capteur haut pressage non atteint		Signal non détecté après 5 secondes. Résulte d'une panne capteur, d'une absence d'alimentation d'air comprimé, d'un blocage mécanique,...).
Alarme 07 : Capteur bas pressage non atteint		Signal non détecté après 5 secondes. Résulte d'une panne capteur, d'une absence d'alimentation d'air comprimé, d'un blocage mécanique,...).
Alarme 08 : Capteur droite rotation non atteint		Signal non détecté après 5 secondes. Résulte d'une panne capteur, d'une absence d'alimentation d'air comprimé, d'un blocage mécanique,...).
Alarme 09 : Capteur gauche rotation non atteint		Signal non détecté après 5 secondes. Résulte d'une panne capteur, d'une absence d'alimentation d'air comprimé, d'un blocage mécanique,...).
Alarme 10 : Problème de communication		Communication entre la carte puissance et la carte écran interrompue. Contacter votre revendeur.
Alarme 13 : Température non atteinte.		Interdit le démarrage du cycle à la première demande. A la deuxième demande de départ cycle, autorise le cycle (forçage départ malgré consigne non atteinte).

Appuyez sur la zone rouge / orange pour effacer le défaut.

# MAINTENANCE

## UTILISATION PAR DU PERSONNEL QUALIFIE

**TOUTES INTERVENTIONS DE MAINTENANCE DOIVENT SE FAIRE A L'ARRET ET MACHINE CONSIGNÉE (ENERGIES ELECTRIQUES ET PNEUMATIQUES DEBRANCHÉES)**

Il est recommandé d'avoir à portée de main les outils suivants:

- Tournevis cruciformes et plats
- Un jeu de clefs plates et à pipes
- Un jeu de clefs Allen
- Un multimètre

## a. Remplacement des pièces usées

- Tapis en mousse siliconé

Vérifier que le plateau est froid

S'assurer que la surface du plateau soit bien propre.

Eventuellement utiliser de l'eau savonneuse en étant muni de protections individuelles adéquates.

Utiliser un tube de colle RTV-1 pour coller la mousse au plateau en aluminium (NB : lire les instructions sur l'emballage du tube).

Le tapis et le plateau doivent être propres et sec avant de commencer le collage.

Étaler une fine couche de colle de façon homogène sur le plateau et appliquer immédiatement le tapis en s'assurant qu'il n'y ait pas de bulle d'air (Exemple : une spatule dentelée de carreleur).

Laisser reposer une nuit entière à température ambiante avec une faible pression et sans chauffe.

- Pour les autres pièces, prendre contact avec votre revendeur pour évaluer leur changement ou réparation.

## b. Entretien

Les presses à chaud SEFA ne nécessitent pratiquement pas d'entretien. Pour vous assurer un bon fonctionnement, suivre les consignes préventives indiquées ci-dessous : Ne pas chauffer d'objets qui pourraient détériorer voire couper le tapis silicone ou abîmer le revêtement en téflon du plateau chauffant.

Périodiquement et lorsque le plateau est froid, nettoyer la machine à l'aide d'un chiffon propre et d'eau savonneuse en étant muni des protections individuelles adéquates.

Lorsque le plateau chauffant est chaud et non utilisé, garder-le en position haute.

### QUOTIDIEN :

Nettoyer la mousse et le revêtement du plateau chauffant (à froid) avec un chiffon sec ou imprégné de dégraissant.

Vérifier le filtre d'arrivée d'air sur le flanc gauche de la potence, le purger s'il y a trop de condensât.

### MENSUEL :

Vérifier le graissage des articulations.

Suivant l'utilisation:

Changer la mousse tous les 6 mois.

## CONSEILS D'INTERVENTION RAPIDES



Toutes réparations de maintenance doit se faire à l'arrêt et machine consignée (énergie électrique et pneumatique arrêtées).

Le plateau chauffant, peut occasionner des brûlures. L'opérateur doit s'assurer que la température de celui-ci est inférieure à 25°C sur l'afficheur, avant toute manipulation.

Symptôme	Cause possible	Solution
La machine ne s'allume pas	La prise n'est pas branchée L'interrupteur n'est pas connecté L'arrêt d'urgence est activé L'afficheur est défaillant	Vérifier votre réseau et si la machine y est reliée. Mettre l'interrupteur général M/A sur 1. Tourner le bouton rouge pour déclencher l'arrêt d'urgence Vérifier si les câbles ne sont pas abîmés (court-circuit éventuel)
Le plateau ne chauffe plus	La résistance est défectueuse  Problème due à l'automate  Valeur de température trop basse	Vérifier les connections et l'état des fils électriques. Pour démonter le plateau chauffant, prendre contact avec votre revendeur. Voir les messages affichés sur l'écran et prendre contact avec votre revendeur. Modifier cette valeur.
Le plateau surchauffe	Problème due à la sonde ou à la régulation de température	Voir les messages affichés sur l'écran et prendre contact avec votre revendeur.
La minuterie ne décompte pas	Le détecteur placé sur un vérin n'est pas activé ou est défectueux  Problème automate	Vérifier sa position. Vérifier ses connections. Le changer si nécessaire  Voir les messages affichés sur l'écran et se reporter au manuel ou contacter votre revendeur.
Le plateau ne descend pas	Fuite sur le vérin  L'électro distributeur ou le régulateur proportionnel sont défaillants  La pression en air comprimée n'est pas suffisante	Vérifier les joints et tous les raccords. Recouper l'extrémité des tuyaux. Prendre contact avec votre revendeur. Vérifier ses raccords. Prendre contact avec votre revendeur pour éventuellement le changer. Vérifier si la pression de votre réseau est opérationnelle.
Le plateau ne remonte pas	L'électro distributeur est défaillant  Fuite sur le vérin	Vérifier ses raccords. Prendre contact avec votre revendeur pour éventuellement le changer. Vérifier les joints et tous les raccords. Prendre contact avec votre revendeur.
Le plateau reste en position basse après pressage	Manque air comprimé	Vérifier le réseau d'air comprimé.



## CONDICIONES DE GARANTÍA

El periodo de garantía comienza el día de la puesta en servicio del equipo en las instalaciones del usuario, acreditada por la devolución de la tarjeta de garantía y el albarán de entrega, por un periodo de dos años para un uso corriente de 8 horas diarias, es decir, 3000 horas.

La garantía se limita estrictamente a nuestros equipos, contra los defectos de material y de ejecución.

Corresponde al comprador demostrar dichos defectos.

Nuestra responsabilidad se limita a la obligación de rectificar o sustituir gratuitamente las piezas reconocidas como defectuosas por nosotros, sin que se nos pueda reclamar indemnización alguna por ningún motivo.

Las piezas sustituidas durante la garantía:

- Sigue siendo de nuestra propiedad,
- Están sujetas a la facturación de un depósito

El crédito de anulación se activa en cuanto se devuelven las piezas defectuosas.

La devolución deberá producirse UN MES COMO MÁXIMO después de la intervención.

### LA GARANTÍA NO CUBRE :

Los suministros comerciales consumibles como:

- Fusibles, LEDs, juntas, mangueras, boquillas, filtros...
- Los suministros que no son de nuestra fabricación pura, se someten a la garantía de su fabricante.

### LA GARANTÍA NO SE APLICA :

Las sustituciones o reparaciones derivadas del desgaste normal de los equipos y máquinas, los daños o accidentes causados por negligencia, falta de supervisión o mantenimiento, uso defectuoso o modificaciones sin nuestro consentimiento por escrito.

En el caso de un defecto derivado de los materiales suministrados por el comprador, o de un diseño impuesto por éste.

Reparaciones derivadas de daños o accidentes durante el transporte.

Operaciones de mantenimiento y ajuste inherentes al uso de la máquina, e indicadas en el manual de mantenimiento, como

- Ajustes intermedipos
- apriete de tubos, etc. ...



En el caso de las máquinas neumáticas, cualquier rastro de aceite detergente en el circuito neumático inhibe las condiciones de garantía mencionadas anteriormente.

Para cualquier información técnica o pedido de piezas de recambio,  
indique la referencia de la máquina y su número de serie.



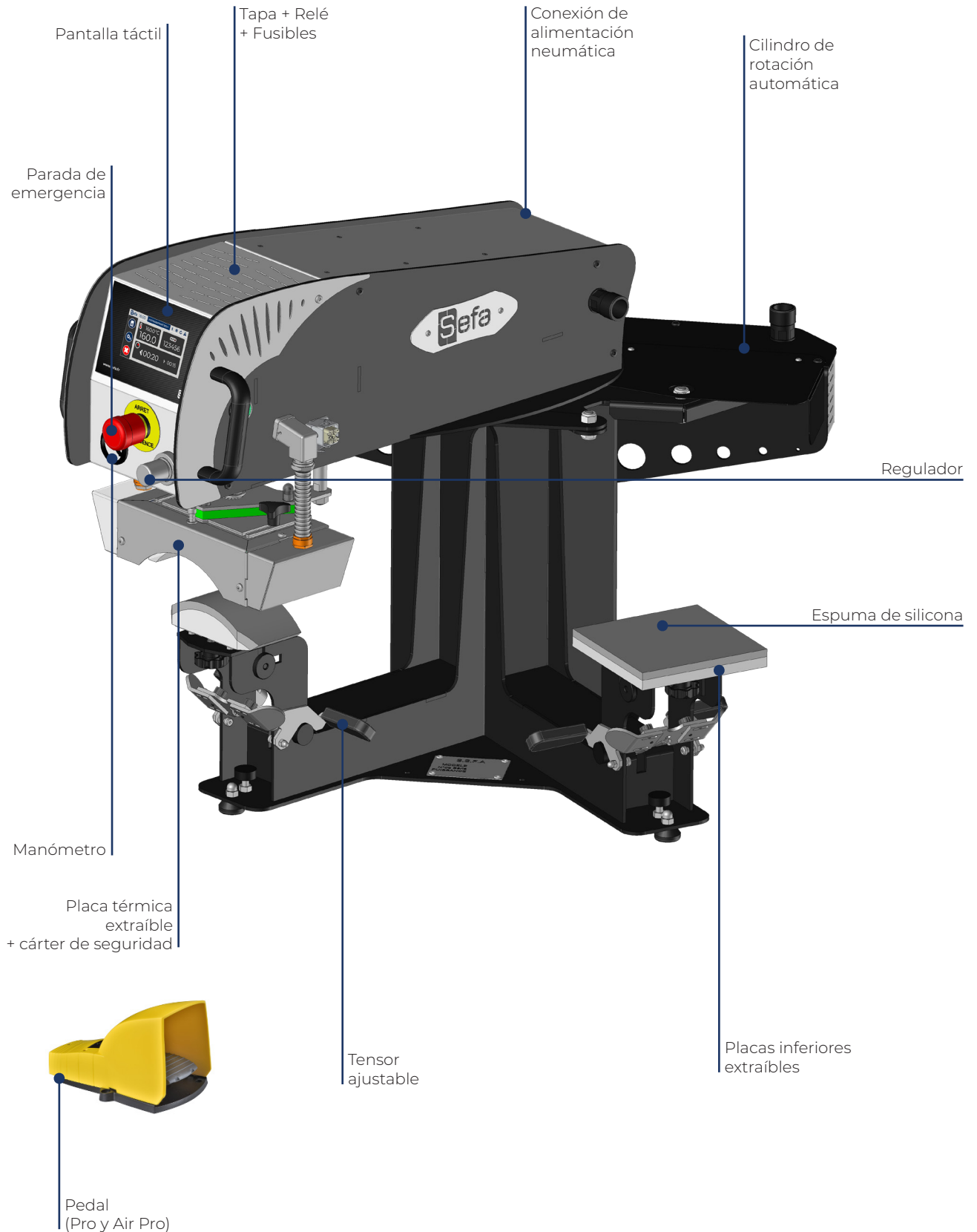
## CARACTERÍSTICAS

Características	
Peso en funcionamiento	42 kg
Altura	620 mm
Profundidad	639 mm
Anchura	786 mm
Dimensiones de la placa	180x80 mm / 160x160 mm
Alimentación eléctrica	220/240 V single phase + ground 50/60 Hz
Potencia	600 W
Amperaje	3 A
Alimentación eléctrica (Versión US)	110/120 V single phase + ground 50/60 Hz
Potencia (Versión US)	600 W
Amperaje (Versión US)	6 A
Alimentación neumática	4 - 8 bars
Planchado	2 - 7,5 bars (membrane : 8 bars)
Inflado membrana (DUPLEX AIR PRO)	0,5 bars
Controlador electrónico temperatura	
Preciso a	+/- 1%
Ajustable de	0 °C - 220 °C
Temporizador electrónico	
Preciso a	+/- 1%
Ajustable de	0 s - 59 min 59 sec
Condiciones de utilización	
Ruido	< 70 dB (A)
Temperatura ambiente de utilización	10 °C - 35 °C
Higrometría	< 90%
Esfuerzo de planchado máx.	290 daN

Documento no contractual : en función del progreso técnico, nos reservamos el derecho de modificar las características de nuestros productos.

## ASPECTOS GENERALES

Esta termoencoladora ha sido diseñada para llevar a cabo una producción intensiva respetando el artículo L 233-5 del código del trabajo, para garantizar la seguridad del usuario. Esta prensa ha sido diseñada para que un operario trabaje frente a la máquina.



## SEGURIDAD

Se recomienda leer atentamente las «instrucciones de uso» antes de comenzar cualquier operación de planchado. La plancha debe utilizarla una persona habilitada y que haya sido informada de los riesgos que puede provocar un uso inadecuado del material. Los ajustes (neumáticos, eléctricos y mecánicos) realizados por nuestros técnicos en el taller, así como los dispositivos de seguridad instalados en la máquina, no deben modificarse en ningún caso. De lo contrario, la sociedad SEFA no se hará responsable de ningún problema relacionado con la máquina.

**ESTE DISPOSITIVO ESTÁ DISEÑADO PARA SER UTILIZADO POR UN SOLO USUARIO CUALIFICADO**

### a. Símbolos internacionales



### b. Puntos importantes

Dotarse de equipos de protección individual E.P.I. (guantes y gafas, por ejemplo). No tocar las partes calientes de aparato durante el funcionamiento. No pasar las manos entre las placas una vez que el aparato esté encendido. Al manipularlo, asegúrese de que el operario no corre el riesgo de sufrir quemaduras, descargas eléctricas u otros peligros. Inspeccionar diariamente la máquina antes de lanzar la producción. En la zona que rodea la máquina, asegúrese de que no haya nadie cerca antes de ponerla en marcha.

Si la máquina no funciona correctamente, desconecte inmediatamente la alimentación eléctrica e investigue la causa (véase el capítulo «Mantenimiento» del manual).



### c. Dispositivos de seguridad

Las protecciones y los dispositivos de seguridad no deben modificarse. Deben volver a montarse si se desmontan para su mantenimiento. Deben mantenerse en su sitio y en buen estado durante el funcionamiento normal. La DUPLEX PRO está equipada con sistemas de seguridad para proteger al operario de cualquier riesgo de pellizco.

Los principales elementos de seguridad son:

- La parada de emergencia situada en la parte delantera de la máquina: si el operario la pulsa, apaga la máquina.
- Cáster de seguridad encima de la placa térmica superior hay dos interruptores con lengüeta.

Este sistema evita el riesgo de pellizcar y aplastar al operario.

Si el sistema detecta un obstáculo, la placa térmica se eleva, la rotación se desactiva inmediatamente y la plancha pasa al modo de seguridad. Pulse la zona roja de la página «Alarma», coloque el soporte sobre una de las placas inferiores y pise el pedal para que la máquina vuelva a funcionar. Compruebe diariamente la parada de emergencia y el cáster de seguridad. Para reiniciar el funcionamiento nominal, compruebe que no existen otros problemas en la máquina.

Desbloquee la parada de emergencia girando la parte roja: la máquina se reiniciará automáticamente.

# UTILIZACIÓN

## a. Instalación de la máquina

USO POR PERSONAL CUALIFICADO



¡ NO MANIPULE LA MÁQUINA POR LAS PLACAS !



Corta las correas de la caja y desatornilla los tornillos que sujetan la tapa y la campana.

Retirar la tapa y luego la campana de la caja.

Retire la bolsa de plástico que protege la máquina.

Retire los tirafondos que fijan la máquina a su palé.

Una vez retirado el embalaje, retire el tornillo de seguridad con la llave Allen 4 suministrada.

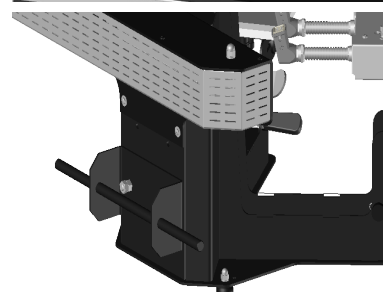
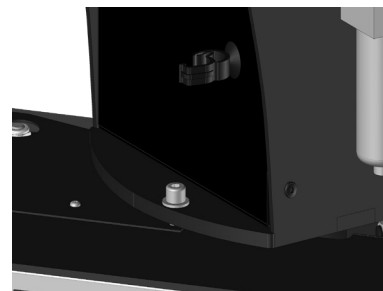
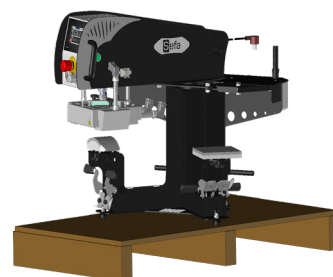
Centrar la máquina entre los dos puestos.

Coloque las barras de transporte y maneje la máquina sólo por ellas.

Fijar la máquina en una mesa estable y nivelada manejándola con las barras de transporte.

Coloque y fije las placas superior e inferior si no lo ha hecho ya.

Retire y guarde las barras de transporte con la caja de la máquina en caso de que ésta deba ser transportada en el futuro.



## b. Puesta en marcha

Alimentar la máquina con aire comprimido. El compresor debe suministrar al menos 4 bares.

Instale una válvula de separación de energía neumática que pueda cerrarse con candado.

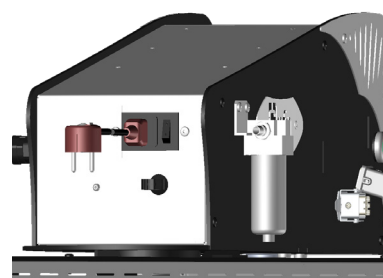
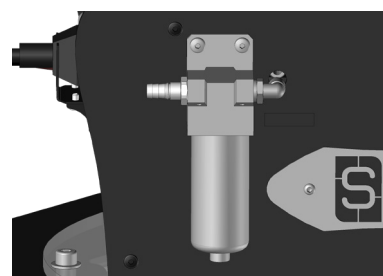
Suministre energía a la máquina con el cable de alimentación suministrado.

Coloque el botón en la parte trasera del soporte en «1» y compruebe que el botón de parada de emergencia de la parte delantera del soporte está desbloqueado.

Encienda la máquina pulsando el interruptor principal situado en la parte trasera de la máquina.

La pantalla táctil mostrará la página del panel de control.

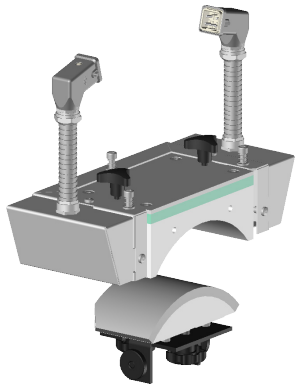
Esta máquina debe ser manejada por personal cualificado. Cuando se enciende la alimentación, el control de temperatura, la tarjeta electrónica y las fuentes de alimentación reciben energía.



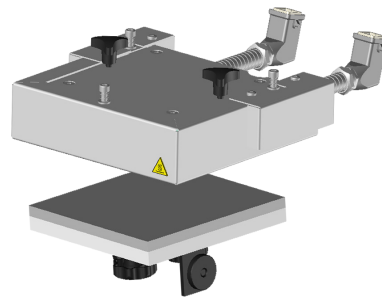
## c. Instalación y uso de accesorios

Para cambiar de placa superior, desenchufe la máquina eléctricamente, espere a que la placa esté fría, desenchufe el conector rápido que la conecta a la máquina, afloje los dos volantes negros lobulados y cambie la placa, luego vuelva a enchufar el conector rápido eléctrico

Para cambiar el accesorio inferior, afloje los dos volantes lobulados a cada lado del accesorio y cambie el accesorio.



Accesorio opcional:  
ACC-CAP-DUPLEX MINI PRO  
Placa térmica y bajo para  
gorra.



Accesorio opcional:  
ACC-PLA-DUPLEX MINI PRO  
Placa térmica y bajo para  
logotipo 16x16 cm.

## d. Ciclo de funcionamiento

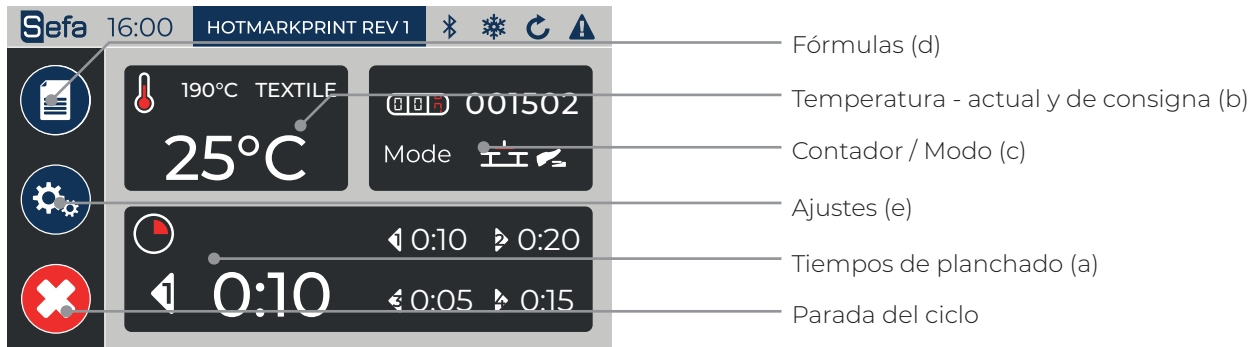
---

1. Colocar el artículo sobre la placa inferior.
2. Ajuste la hoja de transfer.
3. Pulse el pedal de inicio ciclo. El soporte se desplaza automáticamente hacia la placa, la placa térmica desciende automáticamente y el temporizador de planchado se pone en marcha.
4. Mientras tanto, prepare el artículo y su hoja de transfer en el segundo puesto.
5. Al final del temporizador, la placa térmica se elevará.
6. Si la máquina no está en modo «FULL AUTO», pulsar el pedal. De lo contrario, la rotación se producirá automáticamente después de la cuenta atrás del «temporizador de postplanchado».
7. Retire el artículo del primer elemento y prepare el siguiente.
8. Repite la operación en el tercer punto.

Durante el ciclo, al presionar el pedal o uno de los pulsadores verdes se detiene el ciclo y se libera el soporte del lado opuesto.

Durante el ciclo, al pulsar el botón de parada en la pantalla se detiene el ciclo.

# PANTALLA DE CONTROL SMART TOUCH ®



## a. Tiempo de planchado

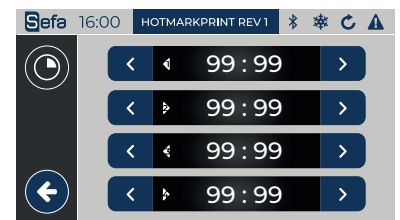
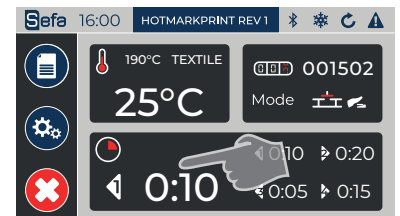
Al pulsar en esta zona, se puede ajustar el tiempo de planchado de la máquina.

El valor puede modificarse con las flechas izquierda y derecha para aumentarlo o disminuirlo.

Puede disponer de 2 tiempos de planchado consecutivos (ver « ajustes (e) ») en planchas de una sola bandeja y hasta 4 tiempos para las planchas con doble bandeja.

También puede cambiar este valor tocando el valor tiempo e introduciendo los datos exactos con el teclado táctil (4 dígitos obligatorios).

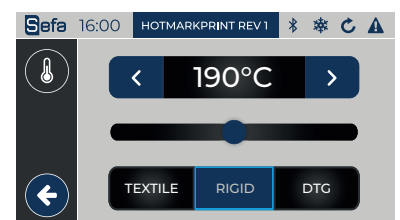
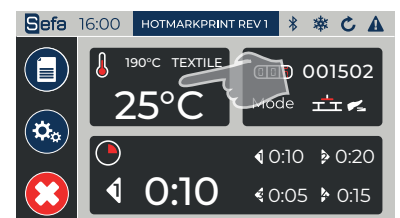
Confirme el valor que desea pulsando el botón «validar» situado en la parte inferior derecha de la pantalla.



## b. Ajuste de la temperatura

Pulse el menú «temperatura» (b). Al igual que con el tiempo de planchado, puede seleccionar la temperatura que desee mediante las flechas situadas a la derecha y a la izquierda del indicador de temperatura. Puede hacer clic directamente encima y elegir el valor manualmente. Para temperaturas inferiores a 100°C, comience con «0» (por ejemplo: 090°C).

También puede intervenir directamente en el cursor azul deslizando el dedo hacia la izquierda para disminuir o hacia la derecha para aumentar la temperatura, y luego ajustar con las flechas. Seleccione el perfil que debe planchar (Textil, Rígido o DTG).



## c. Contador de piezas / Modo de trabajo

Este menú le permite saber cuántas piezas ha producido su máquina. Al hacer clic en este icono, aparecen 2 contadores. Véase el funcionamiento en la tabla siguiente.

En los modelos dúplex, también se puede seleccionar el modo de funcionamiento: Modo con una sola bandeja, modo con doble bandeja y activación con botón/pedal en cada planchado y, por último, el modo doble bandeja automática.

El primer contador es parcial y se puede poner a cero con la flecha de la derecha.

El segundo es un contador general. Muestra el número de piezas realizadas desde que se puso en marcha la máquina. Es permanente y no se puede reinicializar.



## d. Fórmulas

Al pulsar el icono «fórmulas» (d), aparece este menú.

Utilice las flechas derecha e izquierda para seleccionar una de las 10 fórmulas ya creadas. Debe pulsar el icono con el disquete y la flecha que apunta a la derecha para utilizar una fórmula (cargar). Una vez hecho esto, pulse la flecha inferior izquierda para volver al menú principal.

Si desea crear/modificar una fórmula, debe ajustar en primer lugar la hora y la temperatura en la pantalla principal y luego seleccionar el emplazamiento en la memoria (1 a 10) en la pantalla de fórmulas (d). Si desea cambiar el nombre de la fórmula, pulse el lápiz. Elíjale un nombre y pulse en la parte baja derecha de la flecha para validarlo. Por último, pulse el disquete con la flecha de entrada para guardar su elección/ajuste.

Cuando la franja que contiene la fórmula actual que se está utilizando indica un asterisco al principio (\*), esto informa al usuario de que los ajustes actuales no coinciden con los ajustes originales de la receta, y que los ajustes actualmente en uso no se han guardado en la receta.



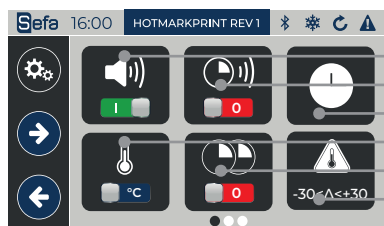
## e. Ajustes

En el menú principal, pulse el icono (e) para acceder a los ajustes de la máquina. Aparecen 6 posibilidades.

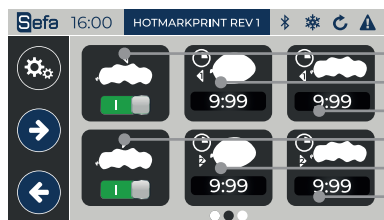
El botón de la rueda dentada permite cambiar los aspectos técnicos de la máquina.



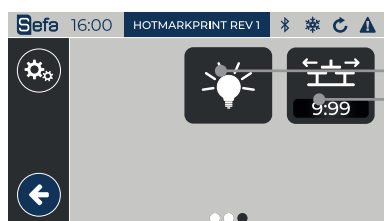




- Activa o desactiva el sonido. El sonido sigue funcionando en caso de fallo.
- Desactiva o activa el timbre de 2 segundos antes del final del ciclo.
- Ajuste del reloj interno (fecha y hora).
- Elección de la unidad de temperatura: grado Celsius o grado Fahrenheit.
- Elección del número de minutos: uno (OFF), 2 o 4 minutos diferentes.
- Ajuste del rango de temperatura de funcionamiento.



- Desactiva o activa la membrana de la bandeja izquierda (Dúplex Air Pro).
- Tiempo de inflado de la membrana izquierda antes de bajar (Dúplex Air Pro).
- Tiempo de desinflado de la membrana izquierda antes de subir (Dúplex Air Pro).
- Desactiva o activa la membrana de la bandeja derecha (Dúplex Air Pro).
- Tiempo de inflado de la membrana derecha antes de bajar (Dúplex Air Pro).
- Tiempo de desinflado de la membrana derecha antes de subir (Dúplex Air Pro).



- Ajuste de la retroiluminación de la pantalla.
- Dúplex Pro/Air Pro: Tiempo de pausa antes de cambiar la bandeja.

## f. Otros ajustes

El icono con la hoja verde se utiliza para establecer el modo de ahorro de energía.

El operario puede activar 2 modos de ahorro de energía:

- Puesta en espera prolongada
  - ▶ Hora de puesta en espera
  - ▶ Hora de volverlo a poner en calentamiento
- Puesta en espera corta
  - ▶ Temperatura de espera (De 40°C (104°F) a 140°C (284°F))
  - ▶ Plazo de inactividad antes de la puesta en espera

La tarjeta pasa al modo ecológico sólo si está en la pantalla de inicio. Se estima que, si el usuario deja la plancha en otra pantalla, se está modificando.

Para salir de los modos de ahorro de energía actuales, basta con tocar la pantalla o iniciar un ciclo.



La «i» de la parte superior derecha le facilitará información clave sobre la versión del software, así como los datos de contacto de SEFA.

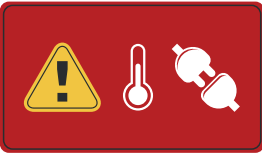










El botón de diagnóstico permite conocer el estado de la máquina y, por tanto, saber si existe o no un mal funcionamiento. En caso afirmativo, sírvase ponerse en contacto con el servicio postventa de su distribuidor.



Español

## g. Lista de alarmas / eventos

Alarma 01: Sonda PT100		Pérdida de la señal de la sonda (sensor o cable). La regulación del calentamiento se ha desactivado instantáneamente.
Alarma 02: Recalentamiento Temperatura superior a 220°C		Lectura de temperatura superior a 230°C. El control del calor se ha desactivado instantáneamente.
Alarma 03: Seguridad de la bandeja activada		La detección es inmediata. La regulación del calentamiento y el planchado se desactivan instantáneamente.
Alarma 06: Sensor alto planchado no alcanzado		Señal no detectada después de 5 segundos. Por fallo del sensor, falta de suministro de aire comprimido, bloqueo mecánico, ...).
Alarma 07: Sensor bajo planchado no alcanzado		Señal no detectada después de 5 segundos. Por fallo del sensor, falta de suministro de aire comprimido, bloqueo mecánico, ...).
Alarma 08: Sensor derecho rotación no alcanzada		Señal no detectada después de 5 segundos. Por fallo del sensor, falta de suministro de aire comprimido, bloqueo mecánico, ...).
Alarma 09: Sensor izquierdo rotación no alcanzada		Señal no detectada después de 5 segundos. Por fallo del sensor, falta de suministro de aire comprimido, bloqueo mecánico, ...).
Alarma 10: Problema de comunicación		Comunicación entre la tarjeta de potencia y la tarjeta pantalla interrumpida. Póngase en contacto con su minorista.
Alarma 13: Temperatura no alcanzada		Prohíbe el arranque del ciclo en la primera solicitud. A la segunda solicitud de inicio de ciclo, autoriza el ciclo (forzando el inicio a pesar de no haberse alcanzado la consigna).

Pulse la zona roja/naranja para subsanar el fallo.

# MANTENIMIENTO

## USO POR PERSONAL CUALIFICADO

**TODOS LOS TRABAJOS DE MANTENIMIENTO DEBEN REALIZARSE CON LA MAQUINA PARADA Y CONSIGNADA (ENERGÍA ELÉCTRICA Y NEUMÁTICA DESCONECTADA)**

Se recomienda tener a mano las siguientes herramientas:

- Destornillador cruciforme y plano
- Un juego de llaves planas y de tubo
- Un juego de llaves Allen
- Un multímetro

## a. Sustitución de piezas usadas

- Tapete de espuma de silicona

Compruebe que la placa está fría

Asegúrese de que la superficie de la placa esté limpia.

Si fuera necesario, utilice agua jabonosa con la protección personal adecuada.

Utilizar un tubo de cola RTV-1 para pegar la espuma a la placa de aluminio (Nota: lea las instrucciones del embalaje del tubo).

El tapete y la placa deben estar limpias y secas antes de comenzar el encolado.

Extender una fina capa de cola de forma homogénea sobre la placa y aplique inmediatamente el tapete, asegurándose de que no haya burbujas de aire (Ejemplo: una espátula dentada de alicatador).

Dejar reposar toda la noche a temperatura ambiente con poca presión y sin calentar.

- Para otras piezas, póngase en contacto con su distribuidor para evaluar su sustitución o reparación.

## b. Mantenimiento

Las prensas térmicas SEFA no necesitan prácticamente mantenimiento. Para estar seguro de que el funcionamiento sea correcto, siga las instrucciones preventivas que se indican a continuación:

No caliente objetos que puedan dañar o cortar el tapete de silicona o dañar el revestimiento de teflón de la placa térmica.

Periódicamente y cuando la placa esté fría, limpie la máquina con un paño limpio y agua jabonosa, utilizando las protecciones individuales adecuadas.

Cuando la placa térmica esté caliente y no se utilice, manténgala en posición alta.

### DIARIAMENTE :

Limpie la espuma y el revestimiento de la placa térmica (en frío) con un paño seco o empapado en desengrasante.

Compruebe el filtro de entrada de aire en el lado izquierdo del soporte y púrguelo si hay demasiada condensación.

### MENSUAL :

Compruebe la lubricación de las articulaciones.

Según el uso:

Cambiar la espuma cada 6 meses.

## CONSEJOS DE INTERVENCIÓN RÁPIDA



Todas las reparaciones de mantenimiento deben realizarse con la máquina parada (energía eléctrica y neumática detenida). La placa térmica puede causar quemaduras. El operario debe asegurarse de que su temperatura sea inferior a 25°C en la pantalla, antes de cualquier manipulación.

Síntomas	Posibles averías	Reparación
La máquina no se enciende	<p>El enchufe no está conectado</p> <p>El interruptor no está conectado</p> <p>La parada de urgencia está activada</p> <p>La pantalla está defectuosa</p>	<p>Compruebe su red y si la máquina está conectada a ella.</p> <p>Poner el interruptor principal de encendido/apagado en 1.</p> <p>Girar el botón rojo para activar la parada de emergencia</p> <p>Compruebe si los cables están dañados (posible cortocircuito).</p>
La placa ya no se calienta	<p>La resistencia está defectuosa</p> <p>Problema debido al autómata</p> <p>Valor de temperatura demasiado bajo</p>	<p>Compruebe las conexiones y el estado de los cables eléctricos.</p> <p>Para retirar la placa térmica, póngase en contacto con su distribuidor.</p> <p>Consulte los mensajes que aparecen en la pantalla y póngase en contacto con su distribuidor.</p> <p>Para modificar este valor, véase el capítulo 5.</p>
La placa se recalienta	Problema debido a la sonda o al control de la temperatura	Consulte los mensajes que aparecen en la pantalla y póngase en contacto con su distribuidor.
El temporizador no tiene cuenta atrás	<p>El detector colocado sobre un cilindro no está activado o está defectuoso</p> <p>Problema autómata</p>	<p>Compruebe su posición. Compruebe sus conexiones. Cámbielo si fuera necesario</p> <p>Consulte los mensajes que aparecen en la pantalla y consulte la guía o póngase en contacto con su distribuidor.</p>
La placa no baja	<p>Fuga en el cilindro</p> <p>El electrodistribuidor o el regulador proporcional están defectuosos</p> <p>La presión del aire comprimido no es suficiente</p>	<p>Compruebe las juntas y todas las conexiones. Volver a cortar el extremo de los tubos. Póngase en contacto con su distribuidor.</p> <p>Compruebe sus conexiones. Póngase en contacto con su distribuidor para una posible sustitución.</p> <p>Compruebe si la presión de su red es operativa.</p>
La placa no sube	<p>El electrodistribuidor es defectuoso</p> <p>Fuga en el cilindro</p>	<p>Compruebe sus conexiones. Póngase en contacto con su distribuidor para una posible sustitución.</p> <p>Compruebe las juntas y todas las conexiones. Póngase en contacto con su distribuidor.</p>
La placa permanece en la posición inferior después del planchado	Falta de aire comprimido	Compruebe el sistema de aire comprimido.



# GARANTIEBESTIMMUNGEN

Der Garantiezeitraum beginnt am Tag der Inbetriebnahme des Geräts beim Benutzer, festgelegt durch das Rücksendedatum von Garantie- und Lieferschein, und dauert zwei Jahre bei gängiger Verwendung von 8 Stunden täglich, das heißt, insgesamt 3000 Stunden.

Die Garantie betrifft ausschließlich die von uns gelieferten Ausrüstungen und gewährleistet, dass diese frei von Material- und Verarbeitungsfehlern sind.

Es obliegt dem Käufer solche Fehler nachzuweisen.

Unsere Verantwortung beschränkt sich auf die Verpflichtung zur Fehlerbehebung oder zum kostenlosen Austausch von uns als fehlerhaft anerkannter Teile. Auf keinen Fall können irgendwelche Entschädigungszahlungen gefordert werden.

Im Rahmen der Garantie ausgetauschte Teile:

- bleiben in unserem Besitz,
- sind Gegenstand der Berechnung von Hinterlegungskosten.

Nach Rücksendung der fehlerhaften Teile wird die Berechnung annulliert.

Die Rücksendung muss innerhalb MAXIMAL EINES MONATS nach dem Eingriff erfolgen.

## VON DER GARANTIE NICHT GEDECKT SIND :

Im Handel erhältliche Verbrauchsgüter, wie:

- Sicherungen, LEDs, Dichtungen, Schläuche, Düsen, Filter usw.,
- Nicht von uns selbst gefertigte Lieferungen. Diese unterliegen der Garantie ihres Herstellers.

## DIE GARANTIE KOMMT NICHT ZUR ANWENDUNG AUF :

Durch normalen Verschleiß der Geräte erforderliche Austausche oder Reparaturen, Schäden oder Unfälle, die auf Nachlässigkeit, mangelnde Überwachung oder Wartung, falsche Verwendung oder ohne unsere schriftliche Zustimmung vorgenommene Änderungen zurückzuführen sind.

Mängel, die durch vom Käufer gelieferte Materialien und von ihm geforderte Auslegungen des Geräts verursacht wurden.

Reparaturen, die nach Unfällen oder Beschädigungen beim Transport nötig sind.

Wartungs- und Einstellarbeiten, die mit der Verwendung des Geräts einhergehen und in dessen Bedienungsanleitung genannt sind, wie:

- Zwischeneinstellungen,
- Nachziehen von Leitungsanschlüssen usw.



Bei pneumatischen Geräten wird nach Auffinden jeglicher Spuren waschaktiven Öls im Pneumatikkreis die oben genannte Garantie nichtig.

**Bei technischen Anfragen oder Ersatzteilbestellungen immer die Referenz-Nummer und die Seriennummer des Geräts angeben.**

## TECHNISCHE DATEN

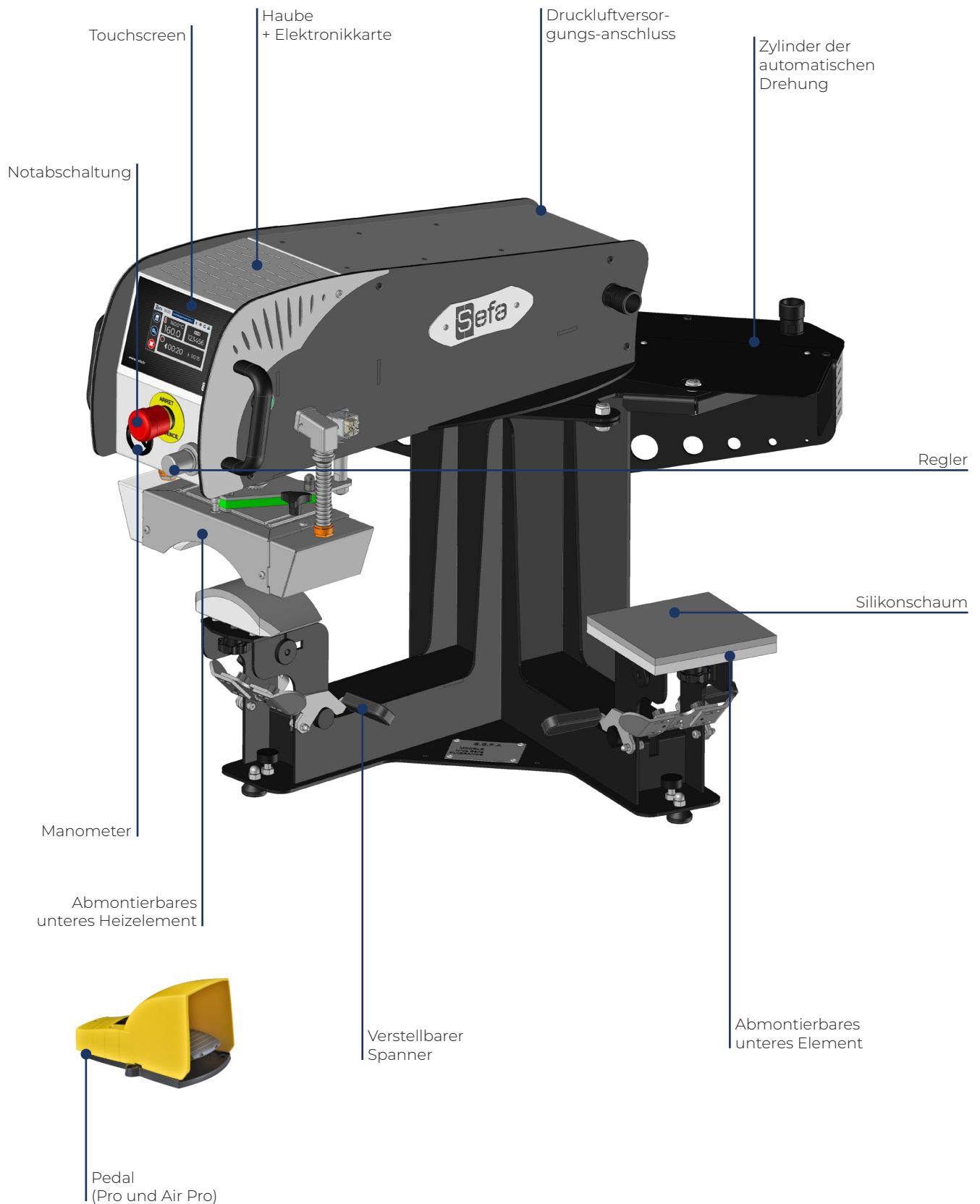
Technische Daten	
Gewicht in Betriebszustand	42 kg
Höhe	620 mm
Tiefe	639 mm
Breite	786 mm
Größe der Platte	180x80 mm / 160x160 mm
Spannungsversorgung	220/240 V single phase + ground 50/60 Hz
Leistung	600 W
Stromaufnahme	3 A
Spannungsversorgung (US Version)	110/120 V single phase + ground 50/60 Hz
Leistung (US Version)	600 W
Stromaufnahme (US Version)	6 A
Druckluftversorgung	4 - 8 bars
Anpressen	2 - 7,5 bars (membrane : 8 bars)
Membran aufblasen (DUPLEX AIR PRO)	0,5 bars
Elektronische Temperaturregelung	
Präzision	+/- 1%
Einstellbereich	0 °C - 220 °C
Elektronischer Timer	
Präzision	+/- 1%
Einstellbereich	0 s - 59 min 59 sec
Einsatzbedingungen	
Geräuschpegel	< 70 dB (A)
Umgebungstemperatur beim Einsatz	10 °C - 35 °C
Rel. Luftfeuchtigkeit	< 90%
Max. Anpressdruck	290 daN

Nicht vertragliches Dokument: Durch technische Fortschritte bedingte Änderungen unserer Produkte bleiben vorbehalten.

# ALLGEMEINES

Diese Thermotransferpresse wurde für intensive Produktion ausgelegt. Sie entspricht Artikel L 233-5 der französischen Arbeitsgesetzgebung zur Gewährleistung der Sicherheit des Benutzers.

Sie ist für einen ihr gegenüber arbeitenden Bediener vorgesehen.





# SICHERHEIT

Es wird empfohlen vor Beginn der Arbeiten mit der Presse aufmerksam die Bedienungsanleitung durchzulesen. Die Presse muss von einer für ihre Bedienung zugelassenen Person verwendet werden, welche über die mit einer falschen Verwendung des Geräts einhergehenden Risiken in Kenntnis gesetzt worden ist. Die von unseren Technikern im Werk vorgenommenen elektrischen, mechanischen und pneumatischen Einstellungen und die auf der Presse eingebauten Sicherheitsvorrichtungen dürfen auf keinen Fall geändert werden. Bei Zuwiderhandlung verweigert die Firma SEFA jegliche Verantwortung für eventuelle mit der Presse verbundene Probleme.

**DIESES GERÄT IST ZUR VERWENDUNG DURCH EINEN EINZIGEN BENUTZER VORGESEHEN**

## a. Internationale Symbole



AUSSCHALTUNG

EINSCHALTUNG



HEISSE FLÄCHE



GEFAHR, WARNUNG



GEFAHR EINES ELEKTRISCHEN SCHLAGS

## b. Wichtige Punkte

Persönliche Schutzausrüstung tragen (zum Beispiel Handschuhe und Schutzbrille). Bei der Verwendung des Geräts nicht dessen heiße Teile berühren. Am in Betrieb genommenen Gerät nicht zwischen die Platten greifen. Beim Handling des Geräts darauf achten, dass für die Person, welche die Arbeiten durchführt, keine Gefahr von Verbrennungen, elektrischem Schlag oder anderem besteht. Täglich vor dem Start der Produktion eine Inspektion des Geräts vornehmen. Vor der Inbetriebnahme sicherstellen, dass sich niemand im Umfeld des Geräts befindet. Bei jeglichen Störungen des Geräts sofort die Energieversorgung unterbrechen und mittels der Angaben im Kapitel «Wartung» der vorliegenden Anleitung die Fehlerursache auffinden..



## c. Auf dem Gerät vorhandene Sicherheitsvorrichtungen

Die Schutz- und Sicherheitsvorrichtungen dürfen nicht geändert werden. Werden sie eventuell für Wartungsmaßnahmen abgebaut, so müssen Sie nach Abschluss der Arbeiten wieder montiert werden.

Sie müssen bei normalem Betrieb in gutem Zustand in Stellung gehalten werden.

Das Gerät DUPLEX PRO verfügt über Sicherheitssysteme, die den Bediener vor jeglichen Einklemmgefahren schützen

Die wesentlichen Sicherheitselemente sind:

- Notabschaltung Auf der Frontseite des Geräts, schaltet bei Betätigung durch den Bediener das Gerät ab.

- Sicherheitsbox Über der oberen Heizplatte befinden sich zwei 2 Reedschalter.

Durch dieses System werden Einklemm- oder Quetschgefahren für den Bediener vermieden. Entdeckt das System ein Hindernis, so fährt die Heizplatte hoch, die Drehung wird augenblicklich abgeschaltet und die Presse schaltet auf Sicherheitsmodus. Um das Gerät wieder in Betriebszustand zu überführen, müssen der rote Bereich des <Alarm>-Menüs gedrückt, der Auslegerarm über eine der unteren Platten gebracht und das Pedal betätigt werden. Die Funktionsweise der Notabschaltung und der Sicherheitsbox ist täglich zu überprüfen. Vor Rückkehr zu normalem Betrieb ist sicherzustellen, dass am Gerät kein Problem mehr vorhanden ist. Zum Entriegeln der Notabschaltung den roten Knopf drehen, worauf das Gerät automatisch neu initialisiert wird.

# VERWENDUNG

## a. Installation des geräts

DURCH QUALIFIZIERTES PERSONAL VORZUNEHMEN



**DAS GERÄT NICHT AN DEN PLATTEN ERGREIFEN !**



Die Spannbänder der Kiste durchschneiden und die den Deckel und die Haube haltenden Schrauben entfernen. Dann den Deckel und die Haube von der Kiste weg nehmen.

Den das Gerät schützenden Kunststoffbeutel wegnehmen.

Die Holzschrauben, mit denen das Gerät auf der Palette befestigt ist, wegnehmen.

Nach Entfernen der Verpackung mit Hilfe des mitgelieferten 4-mm-Stiftschlüssels die Sicherungsschraube entfernen.

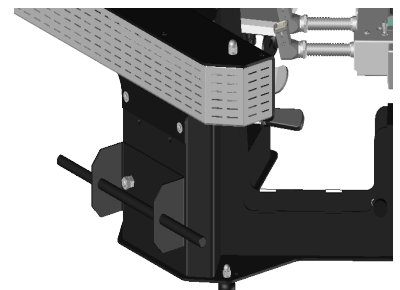
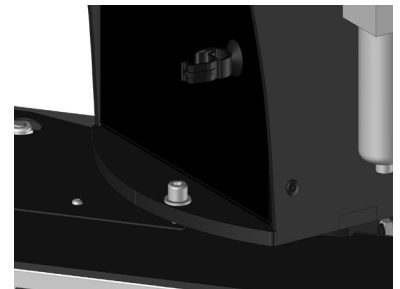
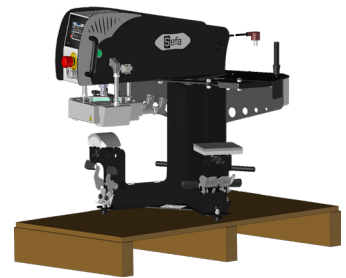
Das Gerät zwischen den beiden Stationen zentrieren.

Die Transportstangen anbringen und das Gerät ausschließlich mittels dieser Stangen handhaben.

Das Gerät mittels seiner Transportstangen auf einem stabilen und nivellierten Tisch positionieren und dort befestigen.

Die unteren Platten positionieren und befestigen, soweit dies noch nicht geschehen ist.

Die Transportstangen wegnehmen und mit der Kiste des Geräts für eventuelle spätere Transporte aufbewahren.



## b. Inbetriebnahme

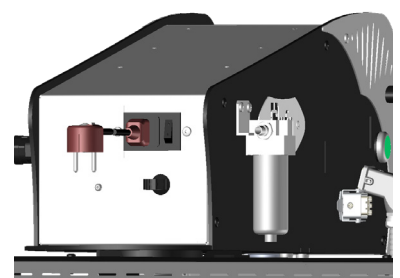
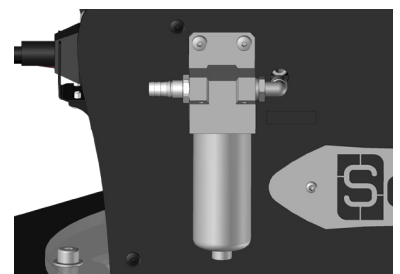
Das Gerät mit Druckluft versorgen. Der hierzu verwendete Kompressor muss mindestens 4 bar liefern.

In der Druckluftversorgungsleitung ein Absperrventil einbauen, das per Vorhängeschloss in geschlossener Position gesichert werden kann. Das Gerät mittels des mitgelieferten Netzkabels an der Spannungsversorgung anschließen.

Den Schalter auf der Rückseite des Auslegerarms auf « 1 » stellen und sicherstellen, dass der Notaus-Taster auf der Frontseite des Auslegerarms entriegelt ist. Zum Einschalten des Geräts den auf seiner Rückseite befindlichen Hauptschalter betätigen.

Auf dem Touchscreen kommt das Bedienfeld zur Anzeige.

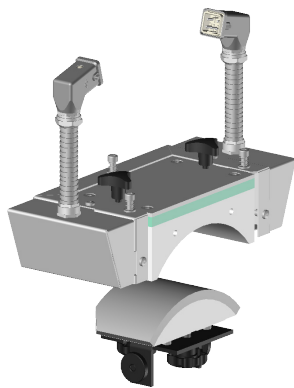
Dieses Gerät muss von qualifiziertem Personal benutzt werden. Bei der Einschaltung sind die Temperaturreglung, die Elektronikarte und die Stromversorgungen in Betrieb.



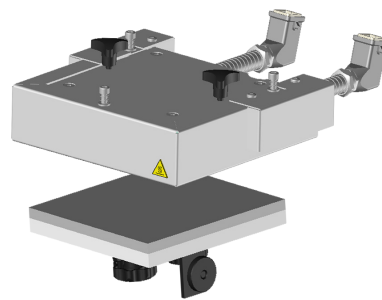
## c. Installation und Verwendung von Zubehör

Zum Auswechseln der oberen Platte das Gerät von der Netzversorgung trennen, das Abkühlen der Platte abwarten, den diese mit dem Gerät verbindenden Steckverbinder abziehen, die beiden schwarzen Flügelschrauben lösen, dann die Platte wechseln und sie wieder mit dem Gerät verbinden.

Zum Auswechseln des unteren Zubehörs die Flügelschrauben auf beiden Seiten des Zubehörs lösen und das Zubehör wechseln.



Accesorio opcional:  
ACC-CAP-DUPLEX MINI PRO  
Placa térmica y bajo para  
gorra.



Accesorio opcional:  
ACC-PLA-DUPLEX MINI PRO  
Placa térmica y bajo para  
logotipo 16x16 cm.

## d. Funktionszyklus

---

1. Den zu bedruckenden Artikel auf der unteren Platte platzieren.
2. Die Transferfolie anpassen.
3. Das Zyklusstart-Pedal betätigen. Der Auslegerarm verschiebt sich automatisch zur Platte, die Heizplatte fährt herunter und startet den Timer der Anpresszeit.
4. Unterdessen können ein weiterer Artikel und seine Transferfolie auf der zweiten Station vorbereitet werden.
5. Nach Ablauf der am Timer eingestellten Zeit fährt die Heizplatte wieder hoch.
6. Soweit sich das Gerät nicht in Modus « FULL AUTO » befindet, erneut das Pedal betätigen. Andernfalls erfolgt nach dem Hochfahren automatische Drehung und die am Timer für « nach dem Anpressen » eingestellte Zeit wird gestartet.
7. An der ersten Station den bearbeiteten Artikel wegnehmen und den nächsten Artikel vorbereiten.
8. Das Ganze ab dem 3. Schritt wiederholen.

Wird während des Zyklus das Pedal oder eine der grünen Tasten betätigt, so stoppt dies den Zyklus und gibt den Auslegerarm der gegenüberliegenden Seite frei. Ein laufender Zyklus kann durch Drücken der Stopp-Taste auf dem Display abgebrochen werden.

# SMART TOUCH ® BEDIENDISPLAY



## a. Anpresszeit

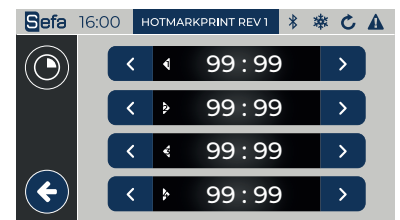
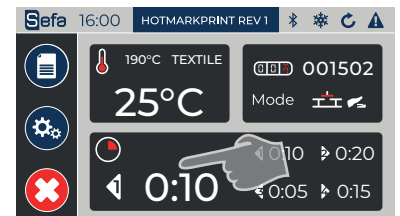
Nach Drücken auf diese Schaltfläche kann die Anpresszeit des Geräts eingestellt werden.

Ihr Wert kann mit den Rechts- und Linkspfeilen erhöht oder erniedrigt werden.

Es können 2 aufeinanderfolgende Anpresszeiten (siehe „Einstellungen“ (e)) auf Pressen mit einer Platte und bis zu 4 Anpresszeiten auf Pressen mit zwei Platten eingestellt werden.

Zur Änderung dieses Werts kann auch auf seine Anzeige getippt und dann der genau gewünschte Wert auf der Zahlentastatur eingegeben werden (4 Zeichen sind zu tippen).

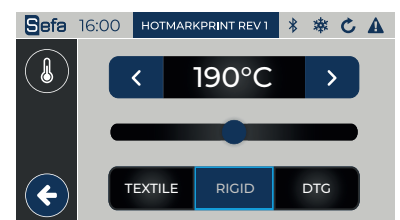
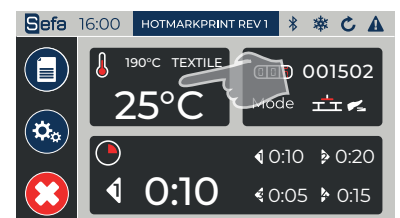
Zur Bestätigung des eingegebenen Werts ist dann die Bestätigungstaste in der rechten unteren Ecke des Bildschirms zu drücken.



## b. Temperatureinstellung

Auf die Temperatur-Schaltfläche (b) drücken. Wie schon die Anpresszeit kann auch die Temperatur mittels der rechts und links vom angezeigten Wert befindlichen Pfeiltasten geändert werden. Es kann auch direkt auf den Wert getippt und dann der gewünschte Wert per Hand eingegeben werden. Für Temperaturen unter 100°C zunächst eine Null eingeben (z. B. 090°C).

Es kann auch der blaue Cursor mit dem Finger nach links zum Vermindern oder nach rechts zum Erhöhen der Temperatur verschoben und dann mittels der Pfeile die Feineinstellung vorgenommen werden. Anschließend das Anpressprogramm (Textile, Rigid oder DTG) wählen.



## c. Stückzähler / Arbeitsmodus (Duplex Pro / Air Pro / Mini Pro)

Hier kann die Anzahl der von der Maschine bearbeiteten Objekte abgelesen werden. Nach Antippen dieser Schaltfläche kommen 2 nachstehend beschriebene Zähler zur Anzeige. Bei den Duplex-Modellen kann zudem der Arbeitsmodus gewählt werden. Es stehen zur Wahl: Nutzung einer Platte, Nutzung von zwei Platten mittels Aktivierung durch Taste oder Pedal für jedes Anpressen oder automatischer Plattenwechsel. Der erste Zähler zeigt die im jeweiligen Arbeitsabschnitt gepressten Objekte und kann durch Drücken des auf seiner Rechten befindlichen Pfeils auf Null zurückgesetzt werden. Der zweite Zähler zeigt die Gesamtzahl der vom Gerät seit seiner ersten Inbetriebnahme gepressten Stücke und kann nicht zurückgesetzt werden.



## d. Rezepte

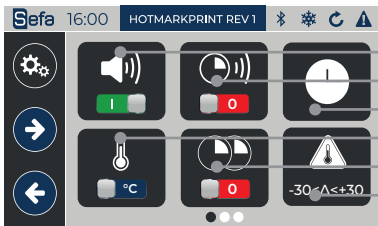
Nach Antippen der „Rezepte“-Schaltfläche (d) kommt das nebenstehende Menü zur Anzeige. Mit den Pfeilen nach rechts und links kann eines von 10 voreingestellten Rezepten gewählt werden. Zur Verwendung (zum Laden) eines Rezepts ist auf das Diskettensymbol mit Rechtspfeil zu drücken. Anschließend kann durch Drücken des in der linken unteren Ecke befindliche Linkspfeils zum Hauptmenü zurückgekehrt werden. Um ein Rezept neu zu schaffen oder ein vorliegendes Rezept zu ändern, sind zunächst die Anpresszeit und die Temperatur auf dem Hauptmenü einzustellen und dann im Rezept-Menü (d) dessen Speicherplatz (zwischen 1 und 10) zu wählen. Zum Ändern der Bezeichnung eines Rezepts auf das Bleistift-Symbol tippen, einen neuen Namen wählen und mit dem Pfeil in der rechten unteren Ecke der Anzeige bestätigen. Abschließend zum Speichern der Neueinstellung auf das Diskettensymbol mit Linkspfeil drücken. Steht vor dem im Anzeigeband sichtbaren Namen des Rezepts ein Stern (\*), so teilt dies dem Benutzer mit, dass die aktuellen Einstellungen des Rezepts nicht seinen ursprünglichen Werten entsprechen und dass diese Einstellungen nicht im Rezept gespeichert sind.



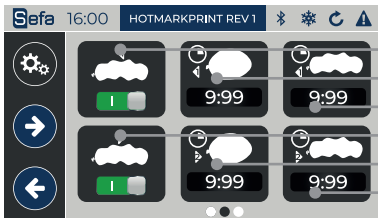
## e. Einstellungen

Nach Drücken auf das entsprechende Symbol (e) im Hauptmenü erfolgt Zugang zu den Einstellungen des Geräts. 6 Einstellmöglichkeiten kommen zur Anzeige. Über die Zahnrad-Schaltfläche können die technischen Aspekte des Geräts geändert werden.

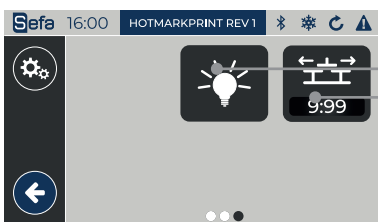




- Ein- und Ausschalten des Tons. Für Fehlermeldungen bleibt der Ton jedoch aktiv.
- Ein- oder Ausschalten des Audiosignals 2 Sekunden vor Zyklusende.
- Einstellung der internen Uhr (Datum und Uhrzeit).
- Wahl der Temperatureinheit Celsius oder Fahrenheit.
- Wahl der Timer-Zahl: 1 (OFF), 2 oder 4 verschiedene Timer.
- Einstellung des Bereichs der Betriebstemperatur.



- Ein- oder Ausschalten der Membran der linken Platte (Duplex Air Pro).
- Aufblaszeit der linken Membran vor Herunterfahren der Platte (Duplex Air Pro).
- Aufblaszeit der linken Membran vor Hochfahren der Platte (Duplex Air Pro).
- Ein- oder Ausschalten der Membran der rechten Platte (Duplex Air Pro).
- Aufblaszeit der rechten Membran vor Herunterfahren der Platte (Duplex Air Pro).
- Aufblaszeit der rechten Membran vor Hochfahren der Platte (Duplex Air Pro).



- Einstellung der Hintergrundbeleuchtung des Bildschirms.
- Duplex Pro/Air Pro: Pausenzeit vor Plattenwechsel (Automatik-Modus).

## f. Andere Einstellungen

Nach Antippen des grünen Blattsymbols kann der Energiesparbetrieb eingestellt werden. Der Bediener kann 2 Energiesparbetriebe einschalten :

- Verlängertes Standby
  - ▶ Standby-Einschaltzeit
  - ▶ Zeit der Wiedereinschaltung der Heizung
- Kurzes Standby
  - ▶ Standby-Temperatur (von 40°C (104°F) bis 140°C (284°F))
  - ▶ Zeit ohne Aktivitäten vor Schalten auf Standby.

Das Umschalten auf Energiesparbetrieb erfolgt nur bei Anzeige des Empfangsmenüs. Es wird angenommen, dass, wenn der Benutzer das Gerät auf einem anderen Menü lässt, Änderungen im Gang sind und das Gerät nicht auf Energiesparmodus umschalten darf.

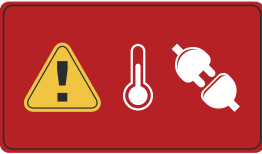








Zum Verlassen des Energiesparbetriebs genügt es, auf den Bildschirm zu tippen oder einen Zyklus zu starten.

Die ein kleines „i“ anzeigende Schaltfläche oben rechts gibt Zugang zu wichtigen Informationen zur Software-Version und Angaben über SEFA.

Die Diagnose-Schaltfläche ermöglicht die Anzeige des Gerätestatus und des Vorliegens eventueller Störungen. Im Fehlerfall wenden Sie sich bitte an die Kundendienstabteilung Ihres Händlers.



## g. Liste der Alarm-/Ereignisanzeigen

Alarm 01: Sensor PT100		Sensor liefert kein Signal (Sensor oder Kabel). Die Regelung der Heizung wird augenblicklich ausgeschaltet.
Alarm 02: Überhitzung, Temperatur über 220°C		Temperatur von über 230°C gemessen. Die Regelung der Heizung wird augenblicklich ausgeschaltet.
Alarm 03: Plattenschutzfunktion ausgelöst		Unmittelbare Feststellung. Die Regelung der Heizung und das Anpressen werden augenblicklich ausgeschaltet.
Alarm 06: Oberer Anpress-Sensor nicht erreicht		Nach 5 Sekunden kein Signal erhalten – wegen Ausfalls des Sensors, fehlender Druckluftversorgung, mechanischer Blockierung usw.).
Alarm 07: Unterer Anpress-Sensor nicht erreicht		Nach 5 Sekunden kein Signal erhalten – wegen Ausfalls des Sensors, fehlender Druckluftversorgung, mechanischer Blockierung usw.).
Alarm 08: Rechter Dreh-Sensor nicht erreicht		Nach 5 Sekunden kein Signal erhalten – wegen Ausfalls des Sensors, fehlender Druckluftversorgung, mechanischer Blockierung usw.).
Alarm 09: Linker Dreh-Sensor nicht erreicht		Nach 5 Sekunden kein Signal erhalten – wegen Ausfalls des Sensors, fehlender Druckluftversorgung, mechanischer Blockierung usw.).
Alarm 10: Kommunikationsproblem		Kommunikation zwischen Leistungs- und Bildschirmlkarte unterbrochen. Mit dem Verkäufer des Geräts in Verbindung treten.
Alarm 13: Temperatur nicht erreicht		Untersagt Zyklusstart nach erster Anforderung. Nach der zweiten Anforderung von Zyklusstart startet der Zyklus (erzwungener Start trotz nicht erreichten Sollwerts).

Zur Quittierung des Fehlers auf den roten oder orangen Bereich tippen.



# WARTUNG

DURCH QUALIFIZIERTES PERSONAL VORZUNEHMEN

ALLE WARTUNGSARBEITEN MÜSSEN AM ABGESCHALTETEN UND GESICHERT VON SEINER VERSORGUNG GETRENNTEN GERÄT Vorgenommen werden (GERÄT VON STROM- UND DRUCKLUFTVERSORGUNG GETRENNT)

Es wird empfohlen, folgende Werkzeuge bereit zu halten:

- Flach- und Kreuzschlitzschraubenzieher
- Satz Gabel- und Steckschlüssel
- Satz Stiftschlüssel
- Universalmessinstrument

## a. Austausch abgenutzter teile

- Silikonschaummatte

Sicherstellen, dass die Platte kalt ist

Die Plattenoberfläche muss sehr sauber sein.

Eventuell Seifenlauge verwenden und dazu geeignete Schutzausrüstung tragen.

Um die Schaumstoffmatte auf die Aluminiumplatte zu kleben, eine Tube 1-Komponenten-Silikonklebstoff (RTV-1) verwenden (Hinweis: Die Anweisungen auf der Verpackung der Tube lesen).

Vor jeglichem Kleben müssen Matte und Platte trocken und sauber sein.

Eine dünne, gleichmäßige Klebstoffschicht auf der Platte auftragen und die Matte sofort anlegen und darauf achten, dass keine Luftblasen verbleiben. (Hinweis: Zum Auftrag des Klebstoffs ist eine gezahnte Spachtel (wie zum Fliesenlegen) gut geeignet.)

Das Ganze dann über Nacht bei Zimmertemperatur leicht angepresst ohne Erwärmung aushärten lassen.

- Für Austausch oder Reparatur anderer Teile treten Sie bitte mit dem Verkäufer des Geräts in Verbindung.

## b. Instandhaltung

Die SEFA-Thermotransferpressen erfordern praktisch keine Wartung. Zur Sicherung ordnungsgemäßen Betriebs die nachstehenden vorbeugenden Maßnahmen befolgen:

Keine Gegenstände erhitzen, welche die Silikonmatte schädigen oder zerschneiden oder die Teflonbeschichtung der Heizplatte beschädigen können.

Das Gerät regelmäßig bei kalter Platte mit einem sauberen Lappen und Seifenlauge reinigen. Dabei geeignete Schutzausrüstung tragen.

Die Heizplatte, wenn sie warm ist und nicht benutzt wird, in hochgefährlicher Position lassen.

### TÄGLICH :

Den Schaumstoff und die Beschichtung der Heizplatte (in kaltem Zustand) mit einem trockenen Lappen, eventuell mit Entfettungsmittel, reinigen.

Den Filter am Luftanschluss auf der linken Seite des Auslegerarms prüfen, eventuelles Kondensat ablassen.

### MONATLICH :

Die Schmierung der Gelenkverbindungen überprüfen.

Je nach Verwendung:

Den Schaumstoff alle 6 Monate auswechseln.

## RATSCHLÄGE FÜR SCHNELLE EINGRIFFE

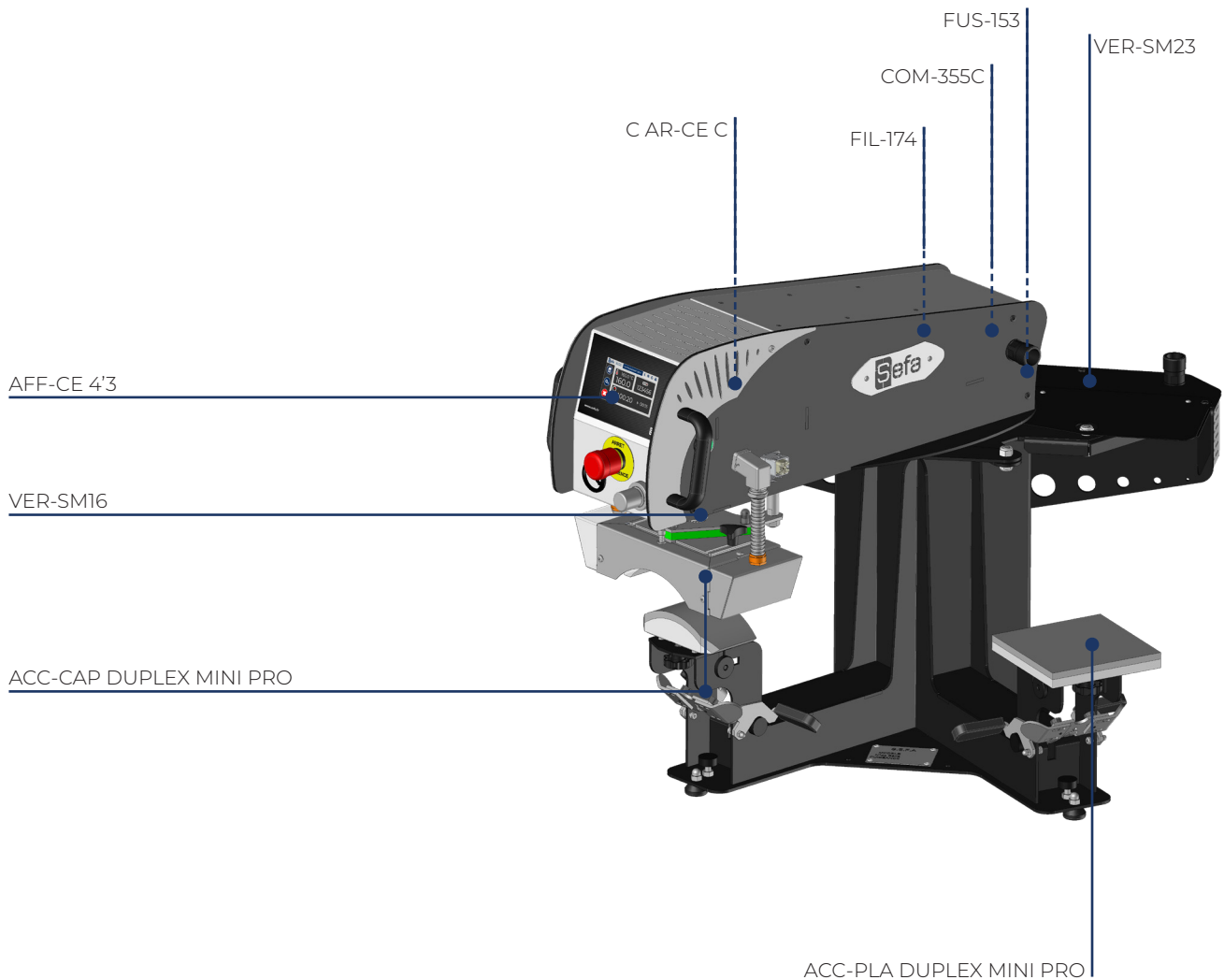


Alle Instandsetzungen müssen am abgeschalteten, gesichert von der Strom- und Druckluftversorgung getrennten Gerät erfolgen.  
Die Heizplatte kann Verbrennungen verursachen. Vor jeglichen Eingriffen muss sich der Bediener an der Temperaturanzeige überzeugen, dass die Temperatur unter 25°C gesunken ist.

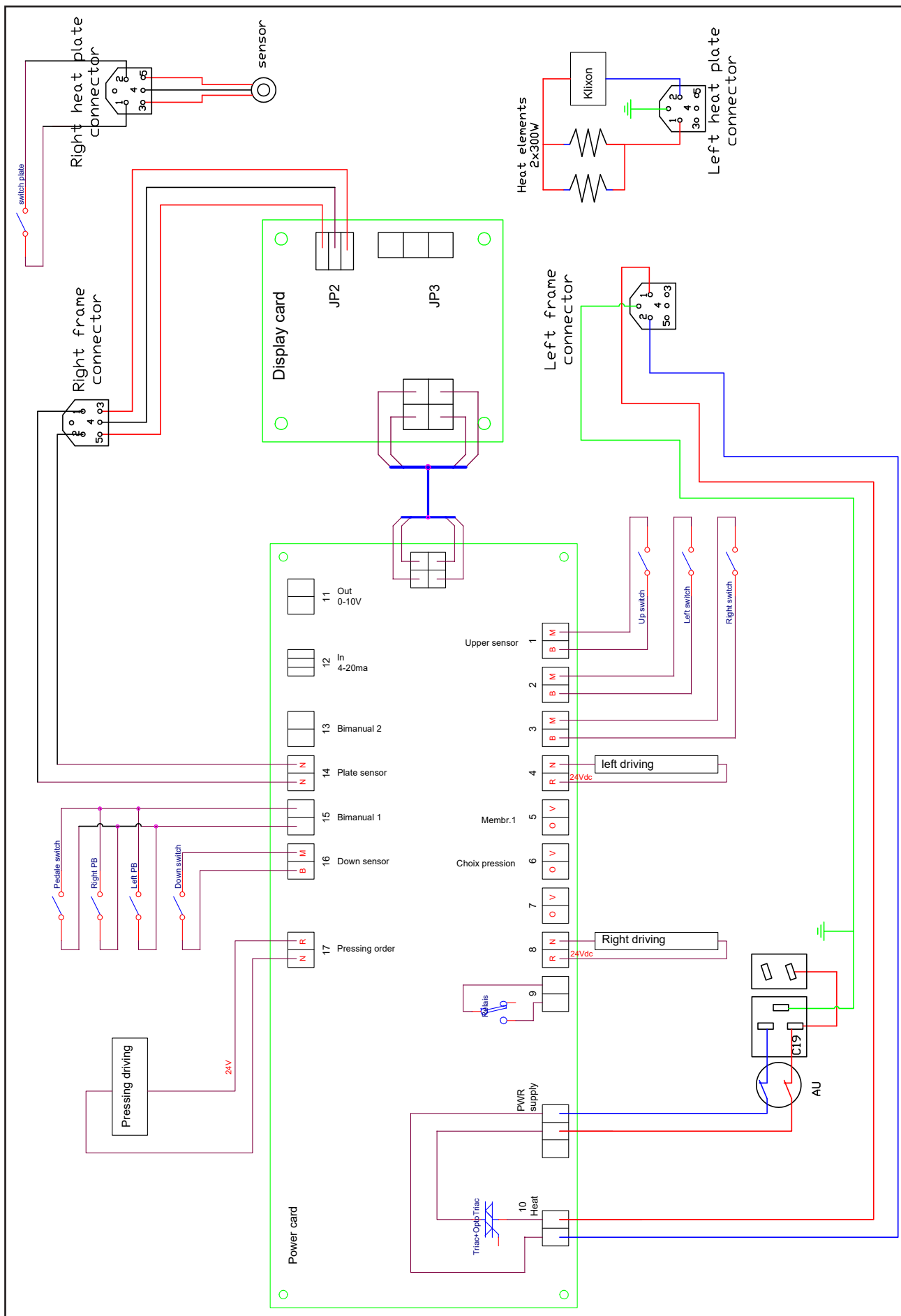
Symptom	Mögliche Pannen	Fehlerbehebung
Das Gerät schaltet nicht ein.	Netzstecker nicht angeschlossen. Hauptschalter nicht eingeschaltet. Notabschaltung ist aktiv Display ausgefallen.	Netz und Anschluss des Geräts am Netz überprüfen. Den Hauptschalter (Ein/Aus) auf I stellen. Zum Entriegeln der Notabschaltung den roten Knopf drehen. Sicherstellen, dass Kabel unbeschädigt sind (eventueller Kurzschluss).
Die Platte heizt nicht mehr.	Heizelement ausgefallen. Mit Steuerung verbundenes Problem. Zu niedrige Temperatureinstellung.	Anschlüsse und Zustand der Leiter prüfen. Zum Ausbau der Heizplatte mit dem Verkäufer des Geräts in Verbindung treten. Auf dem Display angezeigte Meldungen ablesen und beim Verkäufer des Geräts rückfragen. Zur Änderung dieses Werts siehe Kapitel 5.
Die Platte heizt zu stark.	Problem mit Temperaturfühler oder -regelung.	Auf dem Display angezeigte Meldungen ablesen und beim Verkäufer des Geräts rückfragen.
Der Timer funktioniert nicht.	Der auf einem Zylinder platzierte Sensor ist nicht aktiviert oder fehlerhaft Problem der Steuerung	Seine Position prüfen. Seine Anschlüsse prüfen. Falls nötig, ersetzen. Auf Display angezeigte Meldungen zur Kenntnis nehmen und in Anleitung nachsehen oder mit Verkäufer des Geräts in Verbindung treten.
Die Platte fährt nicht herunter.	Leck an Zylinder Das Magnetventil oder der Proportionalregler sind ausgefallen. Der Druck der Druckluft ist unzureichend.	Die Dichtungen und alle Anschlüsse prüfen. Das Ende der Schläuche zuschneiden. Mit dem Verkäufer des Geräts in Verbindung treten. Seine Anschlüsse prüfen. Für eventuellen Austausch mit dem Verkäufer des Geräts in Verbindung treten. Den Druck des Druckluftnetzes prüfen.
Die Platte fährt nicht hoch.	Das Magnetventil ist ausgefallen. Leck an Zylinder	Seine Anschlüsse prüfen. Für eventuellen Austausch mit dem Verkäufer des Geräts in Verbindung treten. Die Dichtungen und alle Anschlüsse prüfen. Mit dem Verkäufer des Geräts in Verbindung treten.
Die Platte bleibt nach dem Anpressen in niedriger Position.	Fehlende Druckluft	Das Druckluftnetz prüfen.

# SPARE PARTS

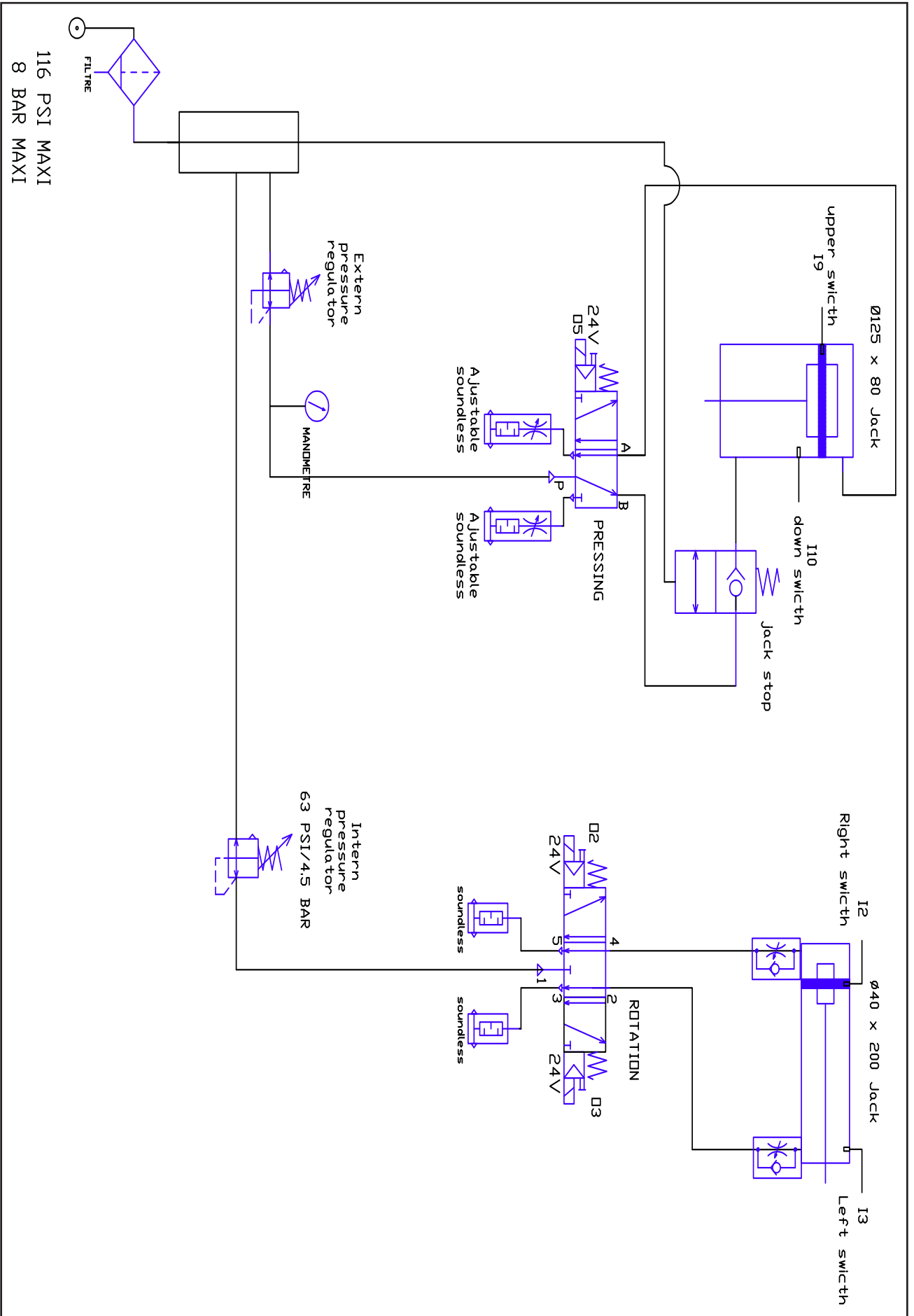
Reference	Description	Quantity
<b>ELECTRICAL PARTS</b>		
C AR-CE C	COMPLETE CONTROL POWER BOARD	1
AFF-CE 4'3	DISPLAY CARD WITH 4'3 COLOUR TOUCH SCREEN	1
COM-355C	COMBINE SWITCH CABLE	1
COR-302	16A 2.5m CEE CABLE	1
FUS-153	16A FUSE	2
<b>PNEUMATIC PARTS</b>		
VER-SM16	CYLINDER Ø63 C80	1
VER-SM23	CYLINDER Ø40 C200	1
FIL-174	REGULATOR FILTER	1
ELE-SM21	SOLENOID CONTROL VALVE 5/3 24V	1
<b>PRESS ACCESSORIES</b>		
ACC-CAP DUPLEX MINI PRO	CAP UPPER AND LOWER PLATES	1
ACC-PLA DUPLEX MINI PRO	FLAT 160x160mm UPPER AND LOWER PLATES	1



# WIRING DIAGRAM

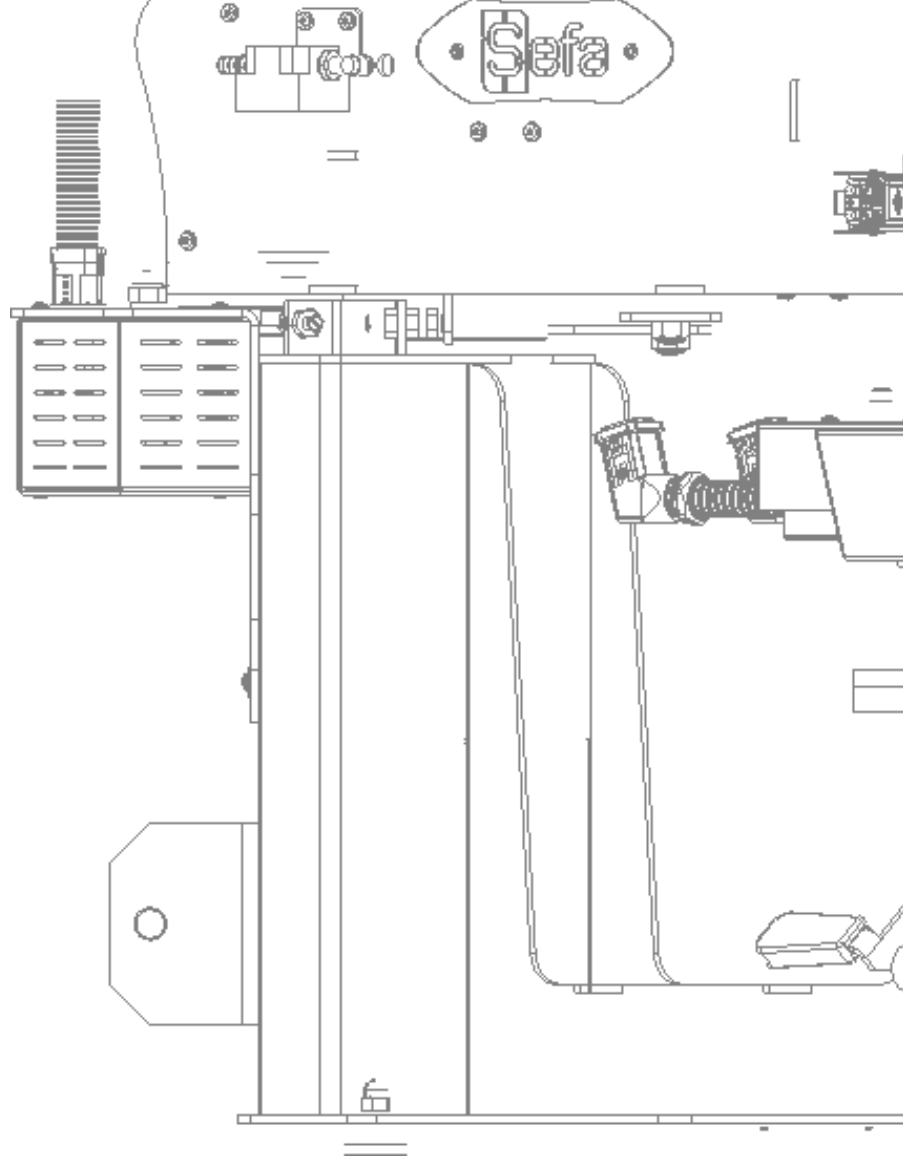


# PNEUMATIC DIAGRAM









# Sefa

HEAT TRANSFER TECHNOLOGIES

SEFA  
ZI PASTABRAC 11260 ESPERAZA FRANCE  
TEL. +33 (0) 4 68 74 25 89  
EMAIL: CONTACT@SEFA.FR  
WEBSITE: WWW.SEFA.FR

TECHNICAL SUPPORT  
EMAIL: SUPPORT@SEFA.FR

